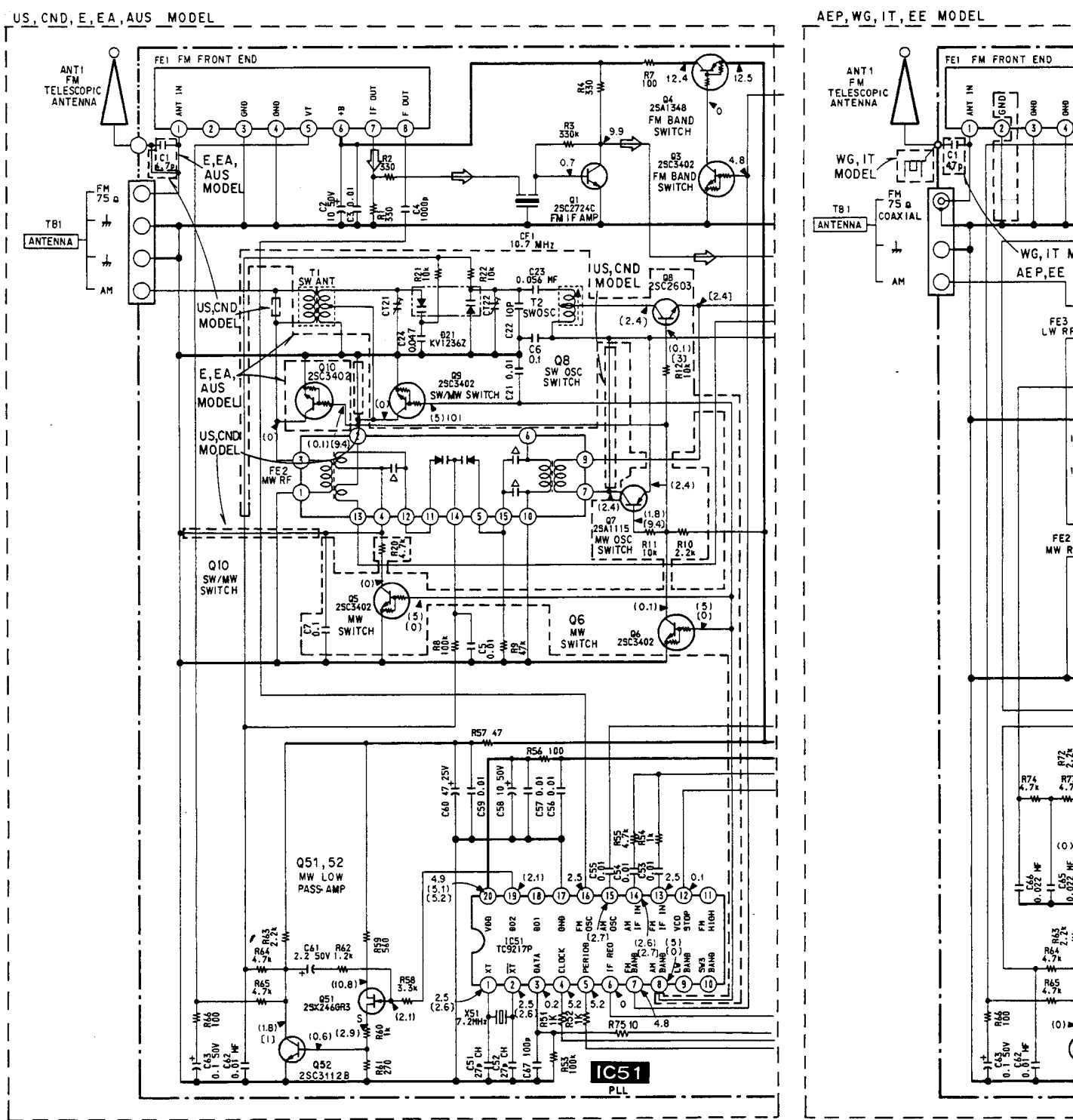


6-4. SCHEMATIC DIAGRAM—Tuner Section—

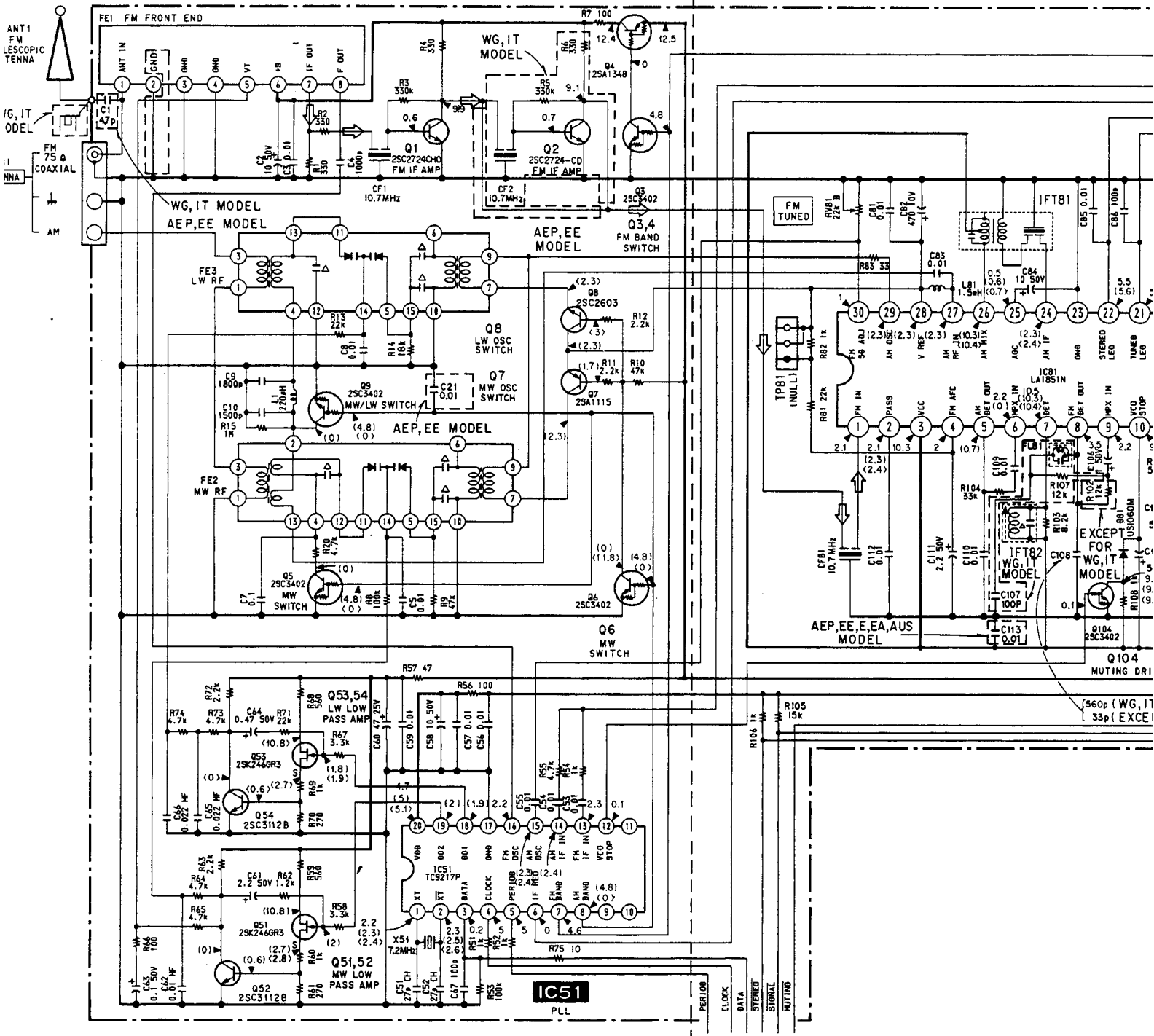
- Refer to page 39 for IC Block Diagrams.
- Refer to page 42 for FE1 FM Front End.

1 2 3 4 5 6 7 8

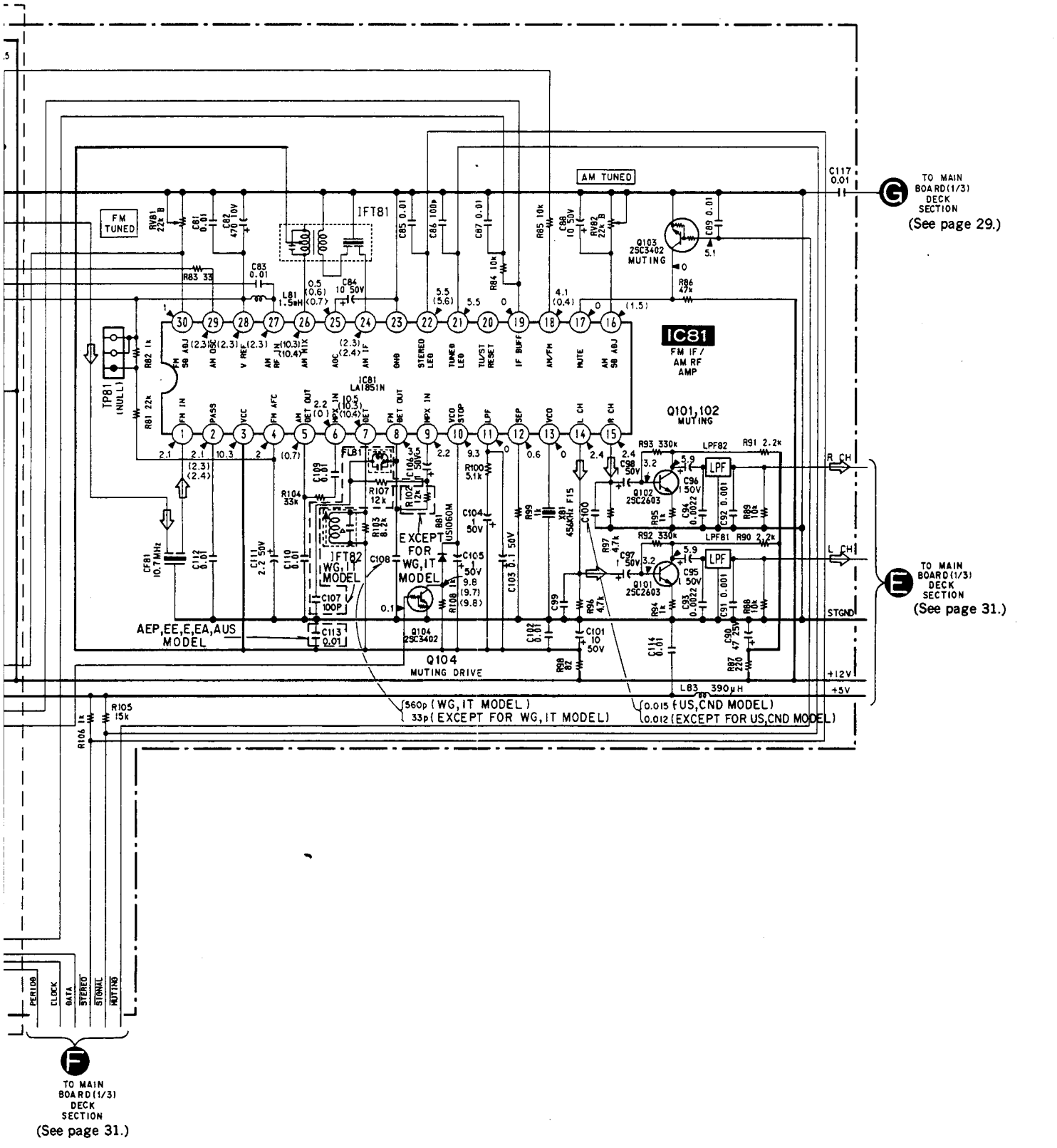
A
B
C
D
E
F
G
H
I
J



WG, IT, EE MODEL



TO MAIN BOARD (1/3) DECK SECTION (See page 31.)



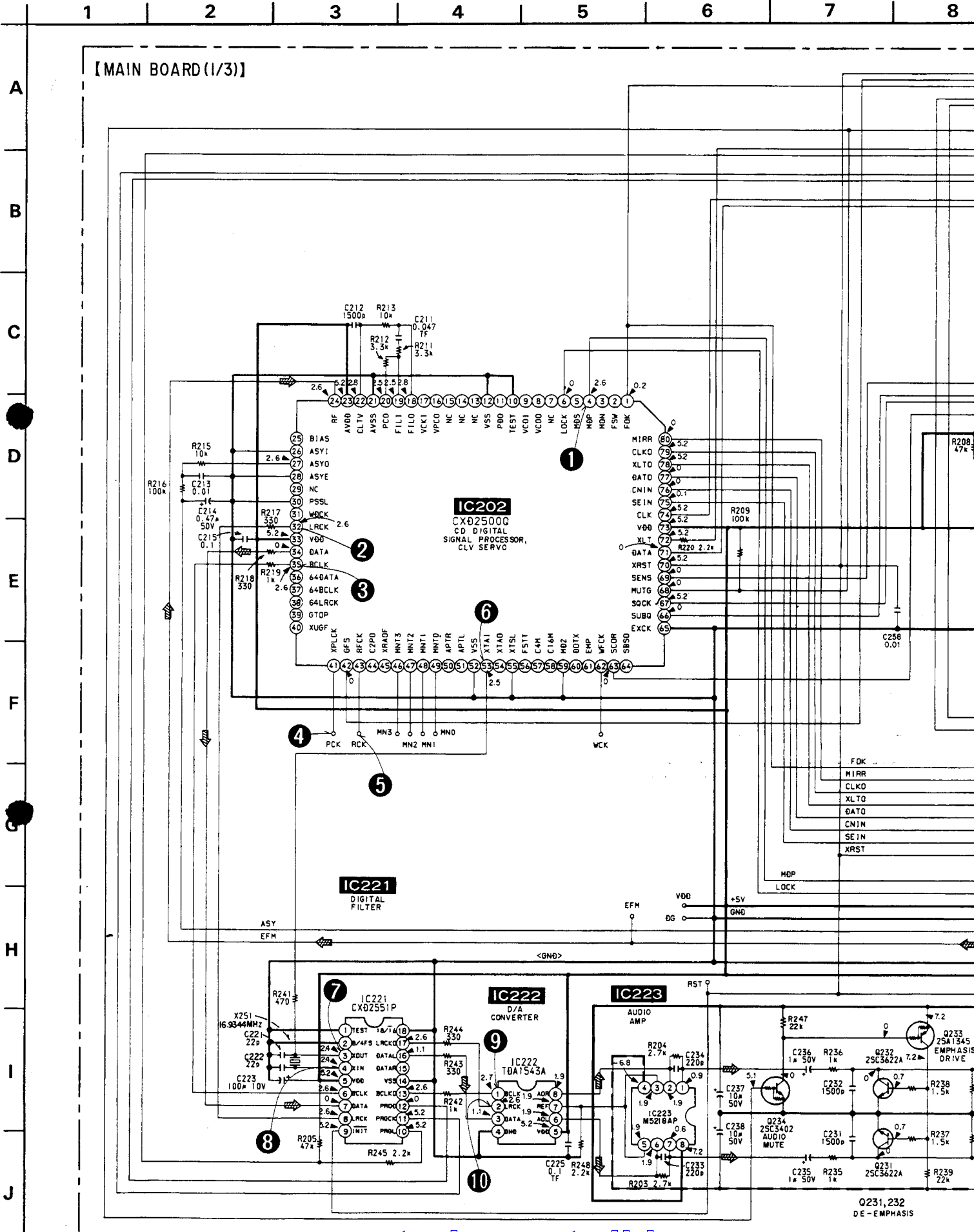
G TO MAIN BOARD (1/3) DECK SECTION (See page 29.)

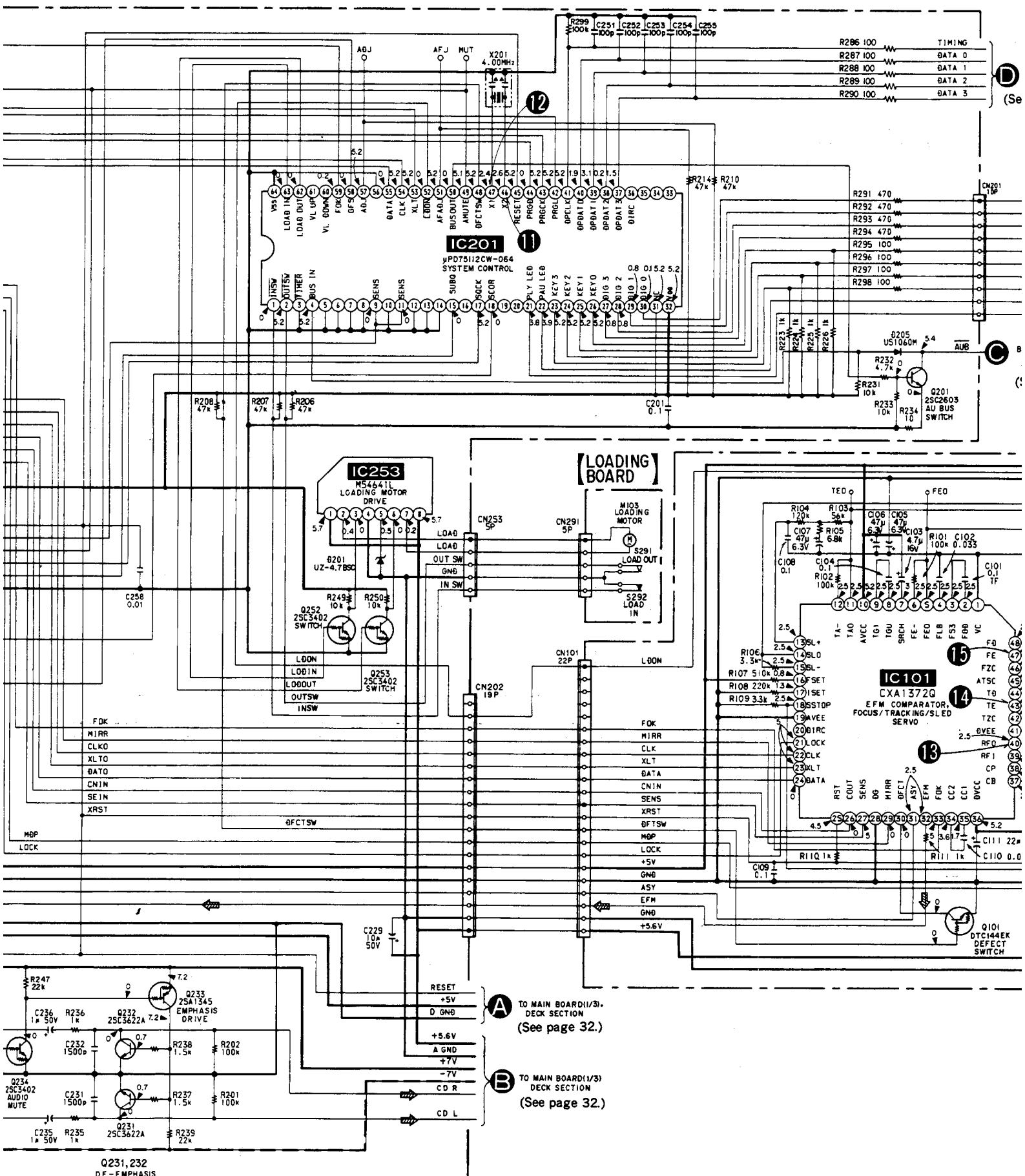
F TO MAIN BOARD (1/3) DECK SECTION (See page 31.)

F TO MAIN BOARD (1/3) DECK SECTION (See page 31.)

- Note:**
- All c 50W and 1
 - All i speci
 - Volta; condi no m (< [
 - Volt Volt tion
 - Sign: ⇨
 - CND: WG: IT: EE: EA: AUS:

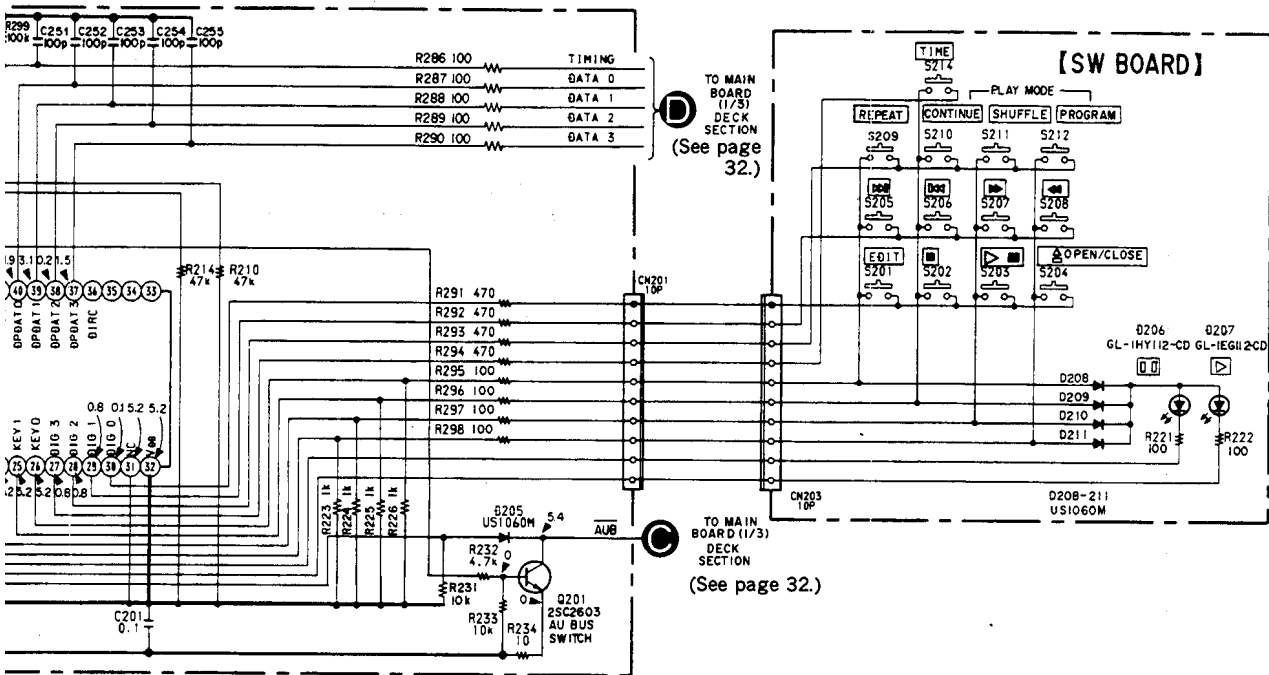
6-5. SCHEMATIC DIAGRAM—CD Section— • Refer to page 39 for IC Block Diagrams.



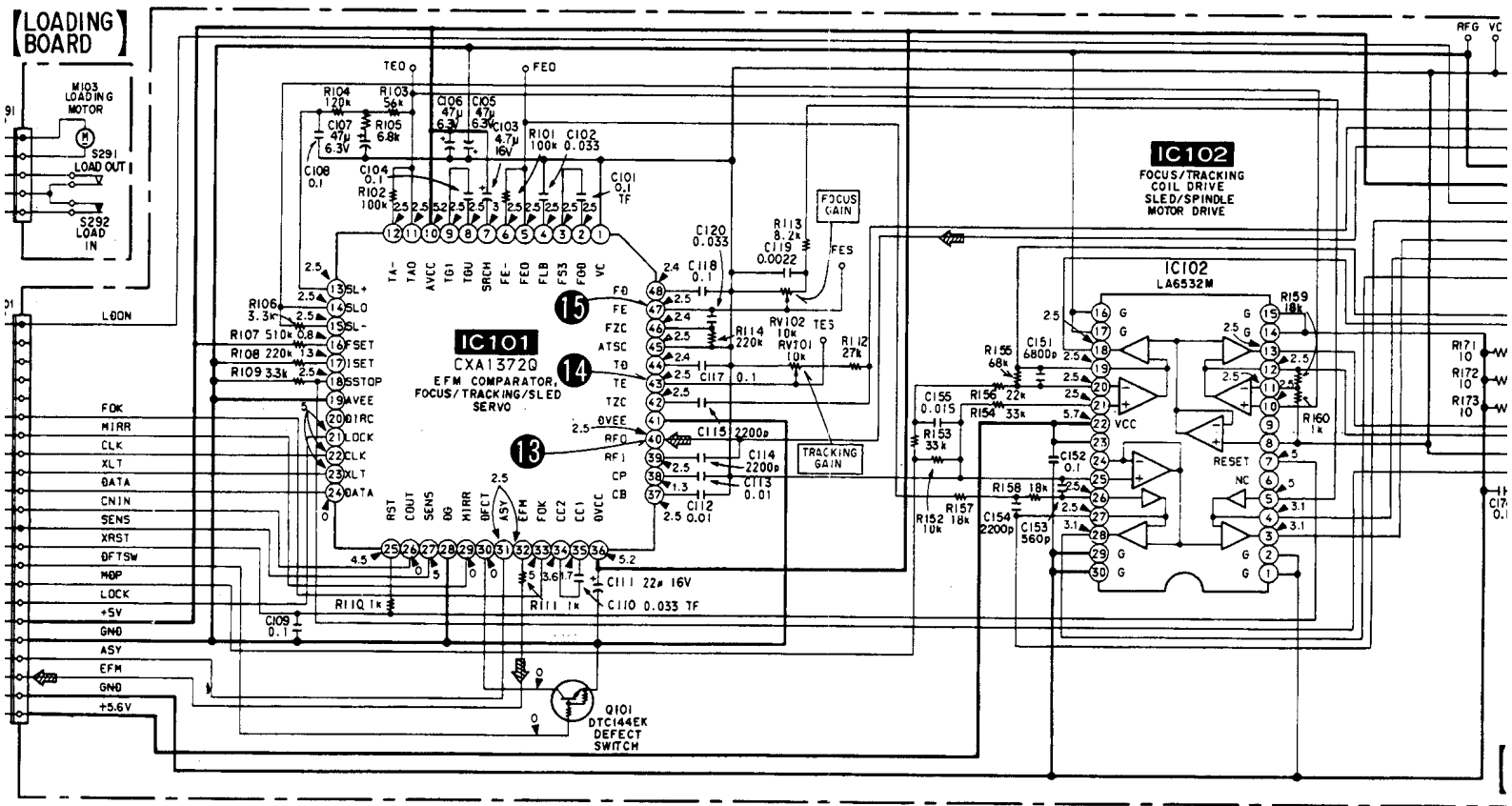


HCD-H5 HCD-H5

1 12 13 14 15 16 17 18 19



RTV servis Horvat
 Kešinci, 31402 Semeljci
 031-856-139
 031-856-637
 098-788-319
 rtv-servis-horvat@os.tel.hr
 Croatia

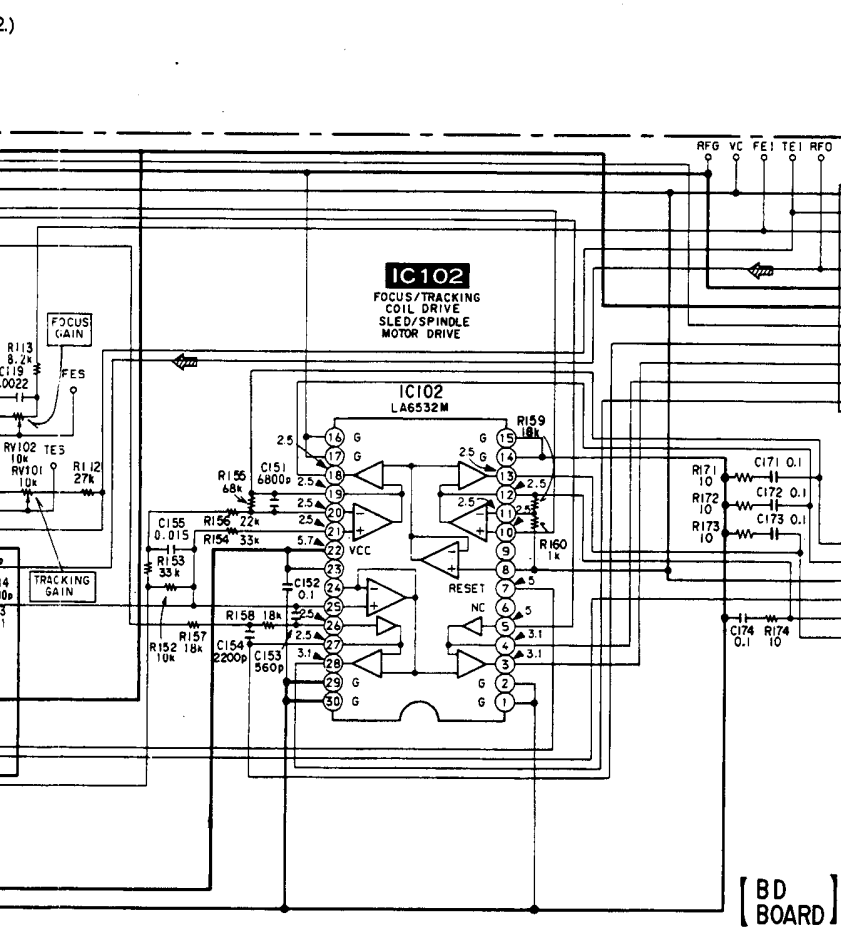
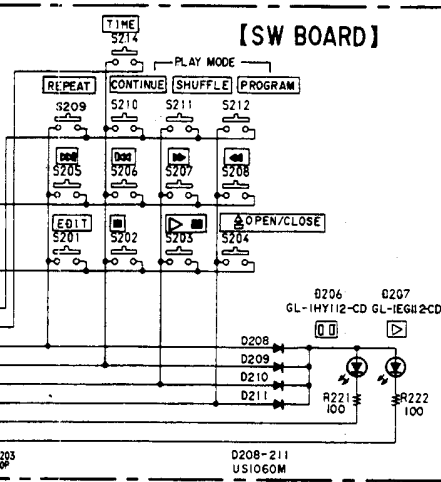


RDI(1/3) ON (See page 32.)

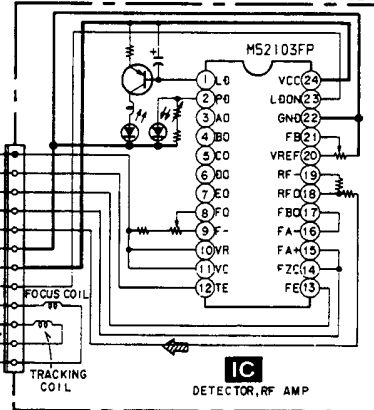
RDI(1/3) F10N (See page 32.)

Note:
 The components identified by mark Δ or dotted line with mark Δ are critical for safety. Replace only with part number specified.

Note:
 Les composants identifiés par une marque Δ ou une ligne pointillée avec une marque Δ sont critiques pour la sécurité. Ne les remplacer que par une pièce portant le numéro spécifié.



OPTICAL PICK-UP BLOCK (KSS-240A)



Note:

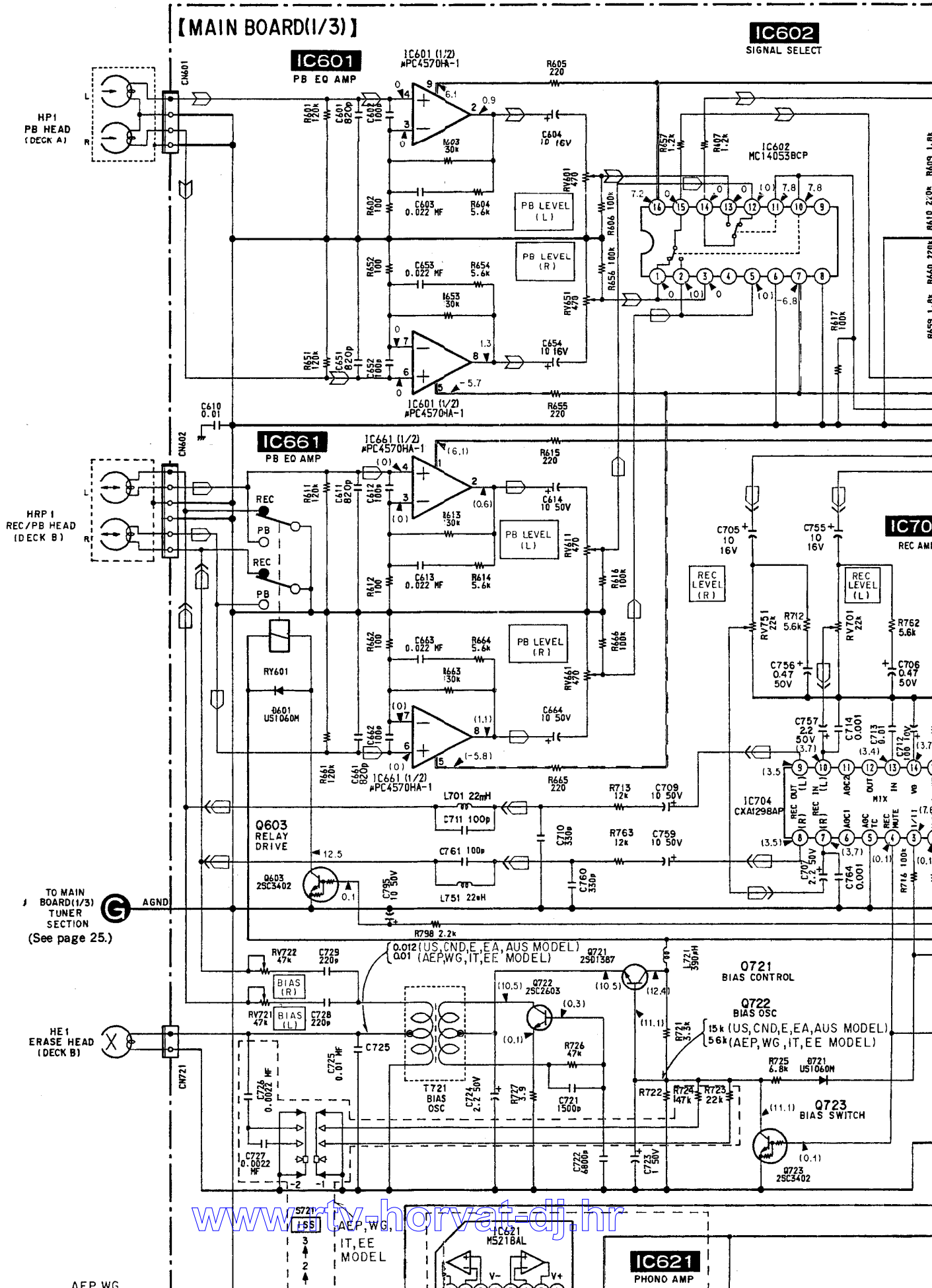
- All capacitors are in μF unless otherwise noted. $\text{pF} = \mu\mu\text{F}$ 50WV or less are not indicated except for electrolytics and tantalums.
- All resistors are in Ω and $\frac{1}{4}W$ or less unless otherwise specified.
- \triangle : internal component.
- --- : B+ Line
- --- : B- Line
- --- : adjustment for repair.
- Voltage and waveforms are dc with respect to ground under no-signal conditions.
no mark : CD STOP
- Voltages are taken with a VOM (Input Impedance $10M\Omega$). Voltage variations may be noted due to normal production tolerances.
- Waveforms are taken with an oscilloscope. Voltage variations may be noted due to normal production tolerances.
- Circled numbers refer to waveforms.
- Signal path.
- --- : CD

Note:
The components identified by mark \triangle or dotted line with mark \triangle are critical for safety. Replace only with part number specified.

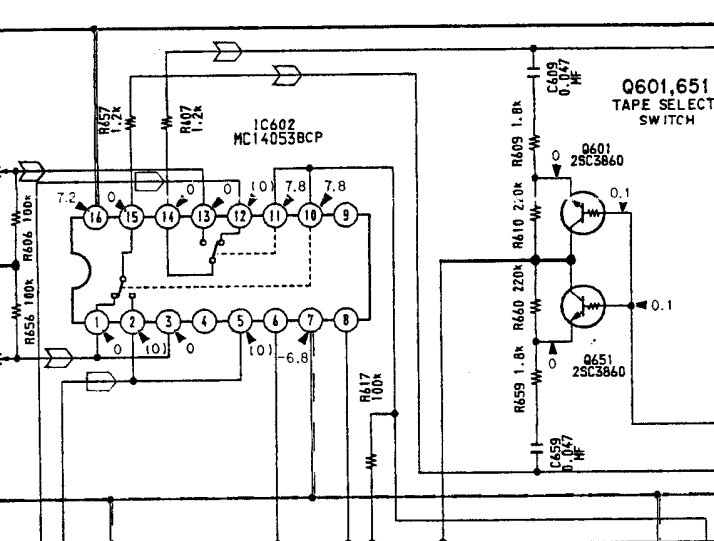
Note:
Les composants identifiés par une marque \triangle sont critiques pour la sécurité. Ne les remplacer que par une pièce portant le numéro spécifique.

1 2 3 4 5 6 7 8

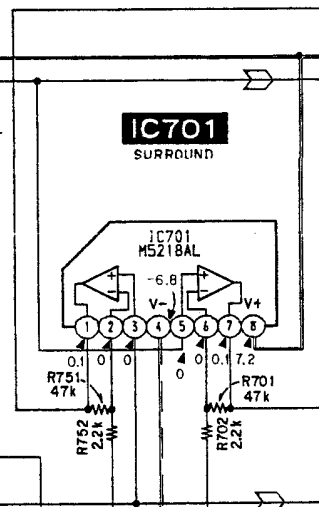
A
B
C
D
E
F
G
H
I
J
K



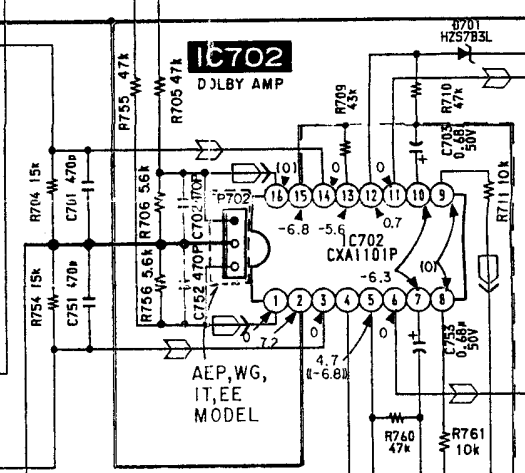
IC602
SIGNAL SELECT



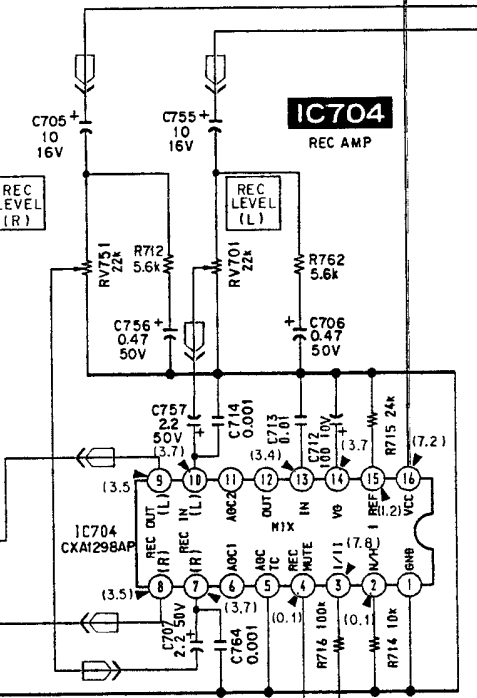
IC701
SURROUND



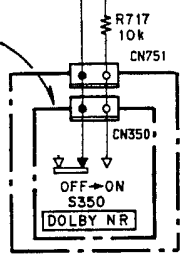
IC702
DOLBY AMP



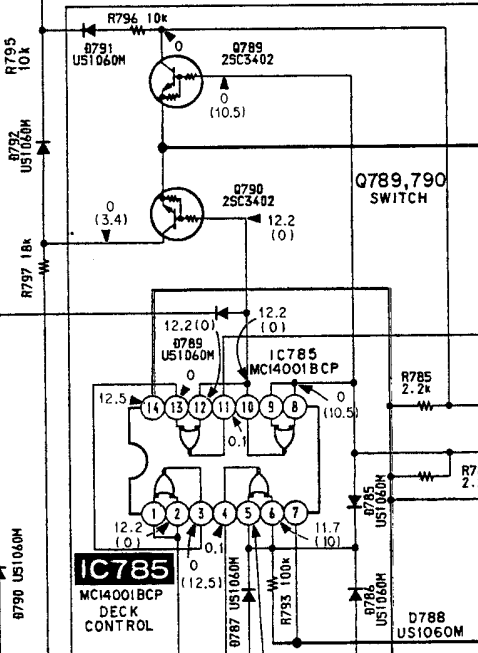
IC704
REC AMP



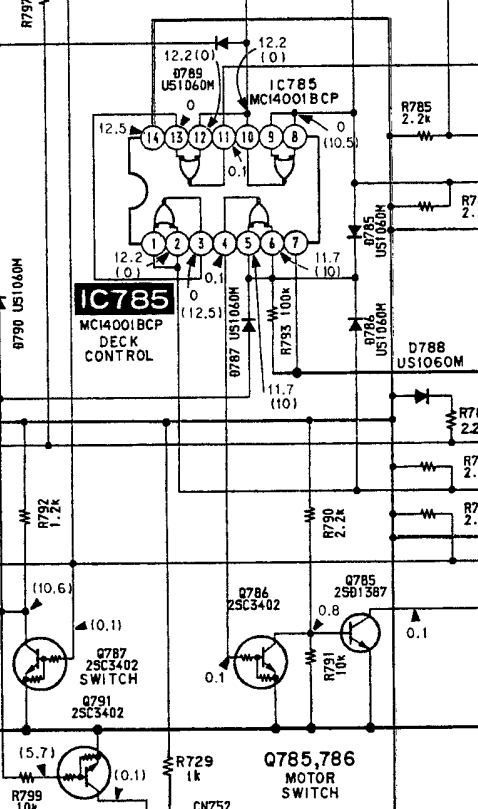
DOLBY BOARD



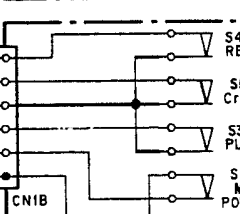
Q789,790
SWITCH



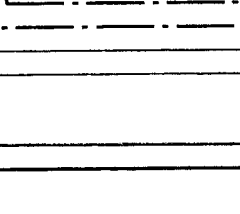
IC785
MC14001BCP
DECK CONTROL



SWITCH (A) BOARD



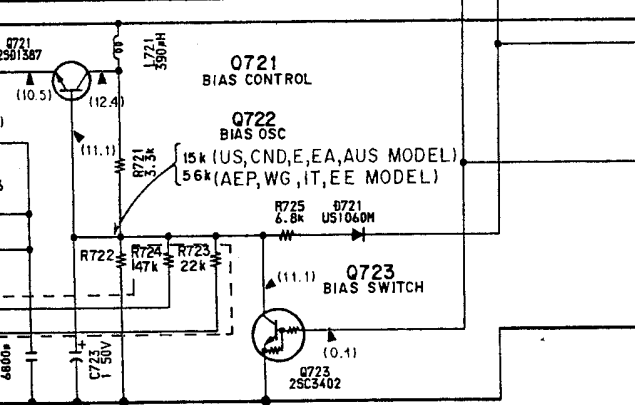
SWITCH (B) BOARD



Q721
BIAS CONTROL

Q722
BIAS OSC

Q723
BIAS SWITCH

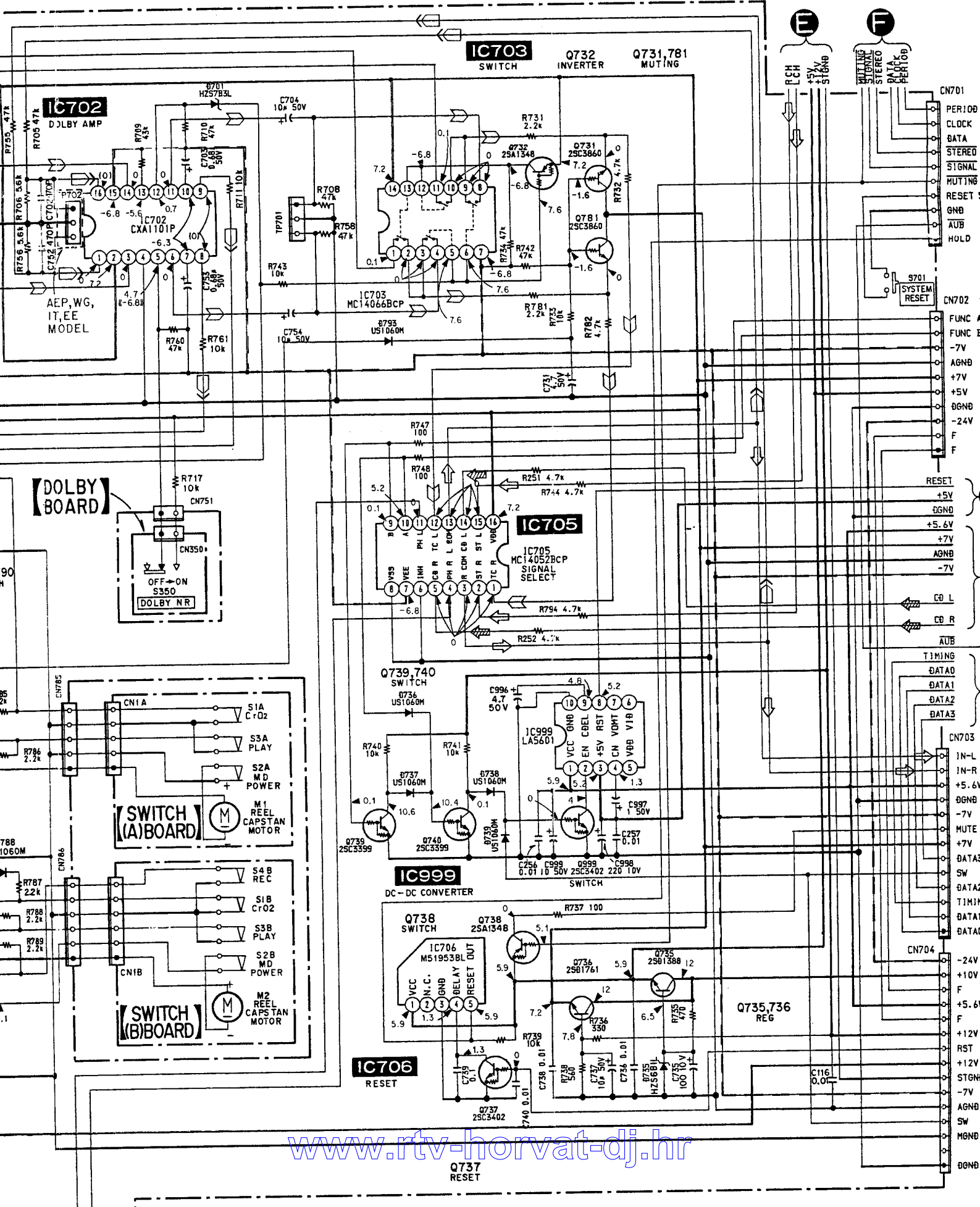


IC621
PHONO AMP

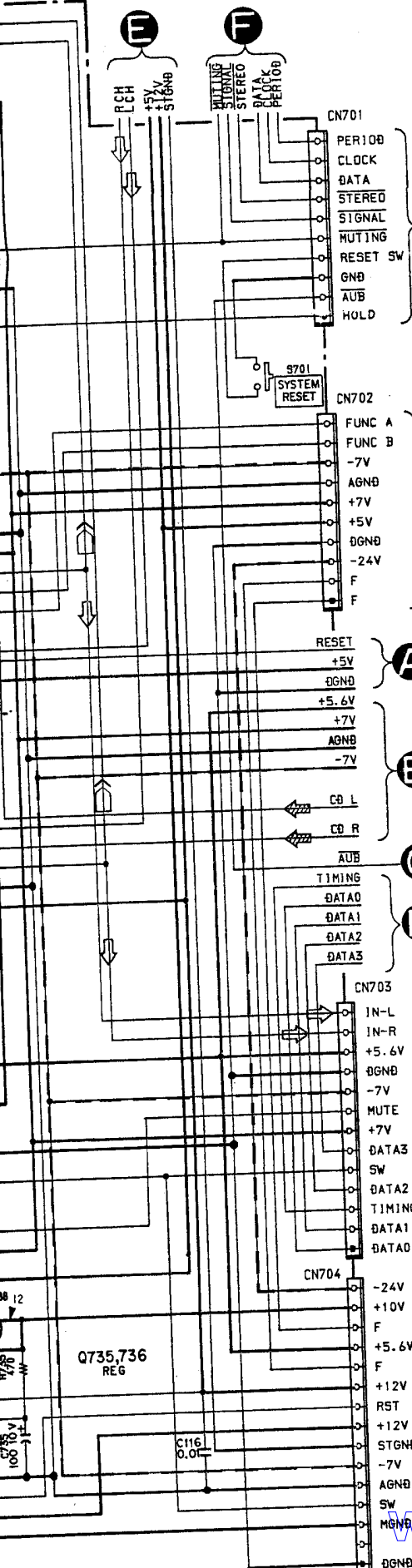
Q791
LED DRIVE



(See page 25.) (See page 24.)
TO MAIN BOARD (1/31)
TUNER SECTION



(See page 25.) (See page 24.)
TO MAIN BOARD (1/3)
TUNER SECTION



1
TO DISPLAY BOARD
CN501
(See page 34.)

2
TO DISPLAY BOARD
CN502
(See page 34.)

A
TO MAIN BOARD (1/3)
CD SECTION
(See page 27.)

B
TO MAIN BOARD (1/3)
CD SECTION
(See page 27.)

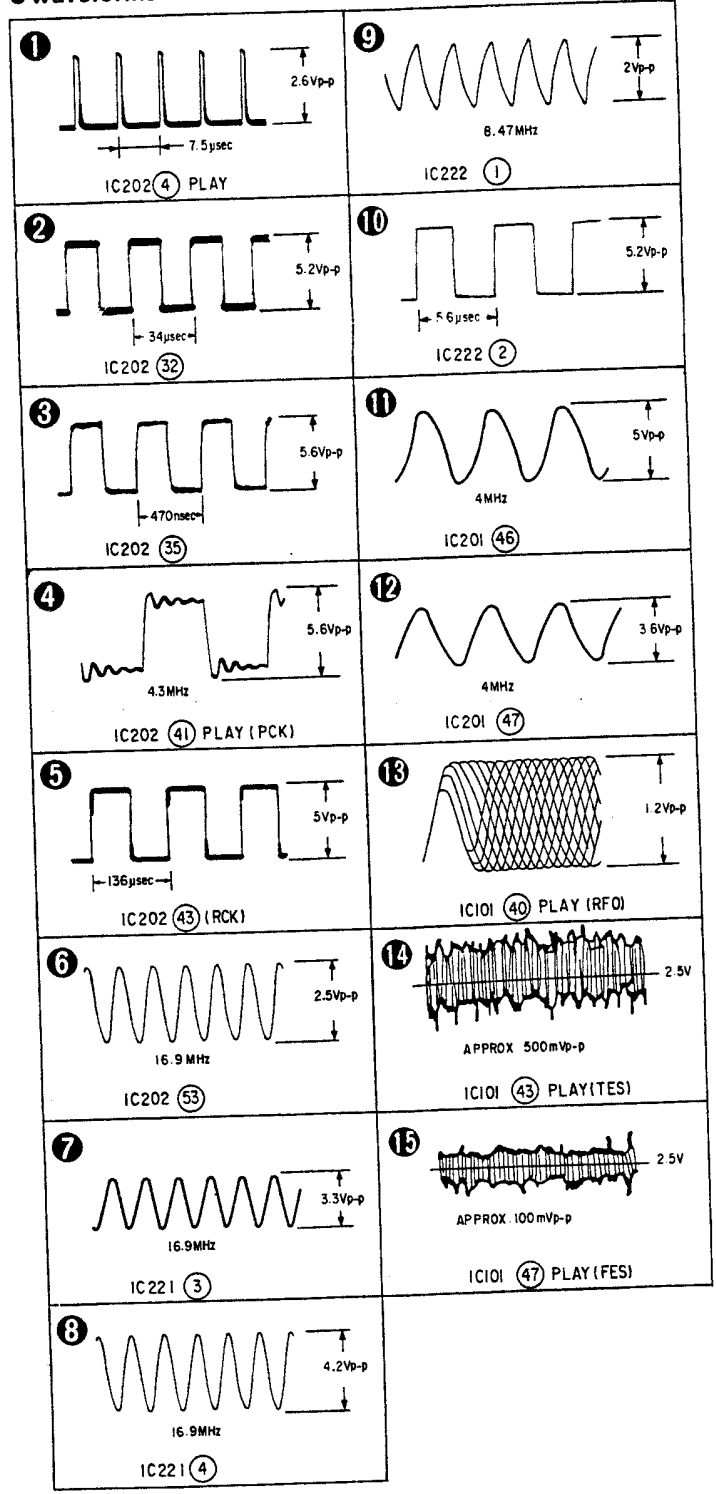
C
TO MAIN BOARD (1/3)
CD SECTION
(See page 27.)

D
TO MAIN BOARD (1/3)
CD SECTION
(See page 27.)

3
TO JUMPER BOARD
CN402
(See page 35.)

4
TO TRANSFORMER BOARD
CN902
(See page 35.)

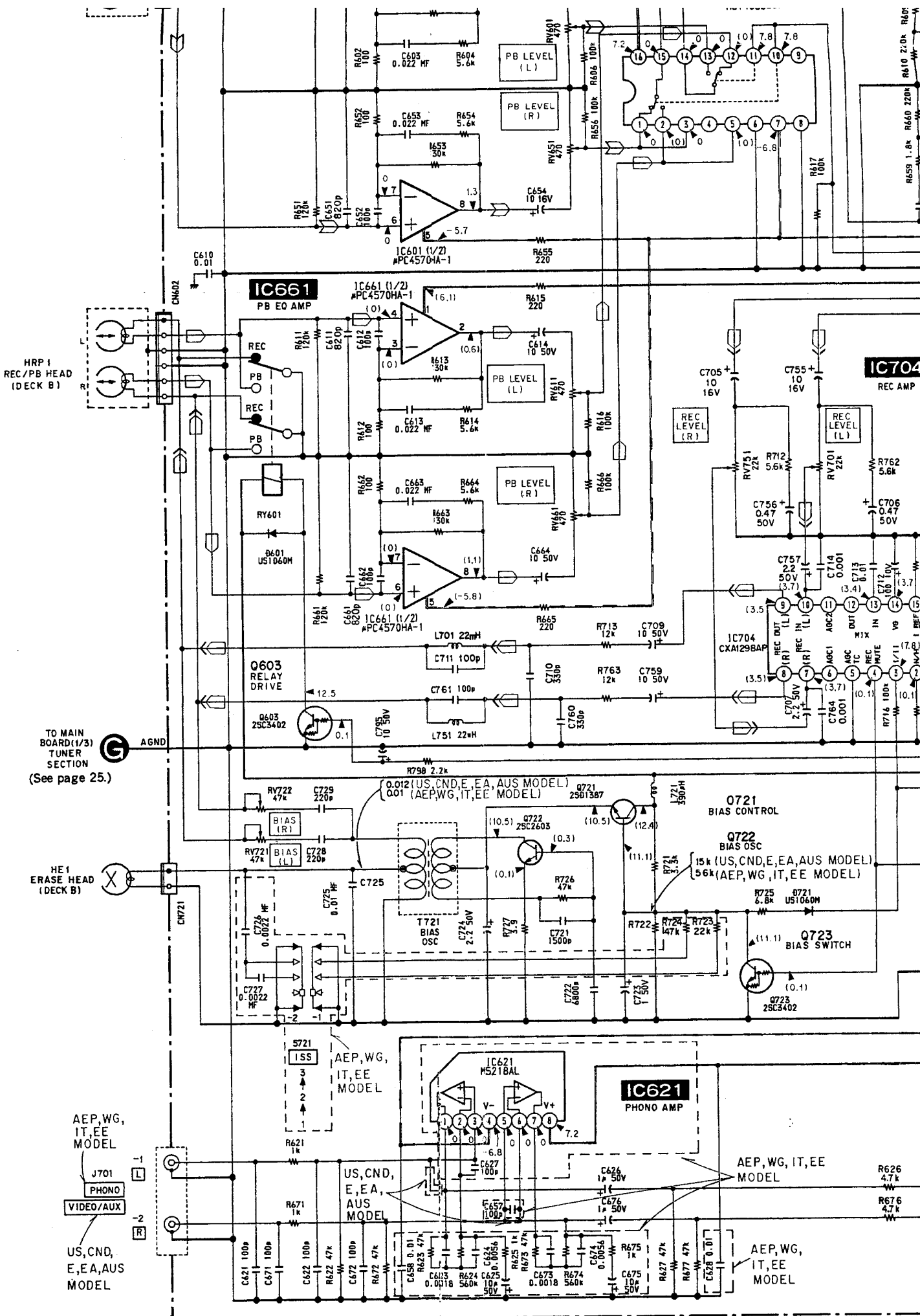
● Waveforms

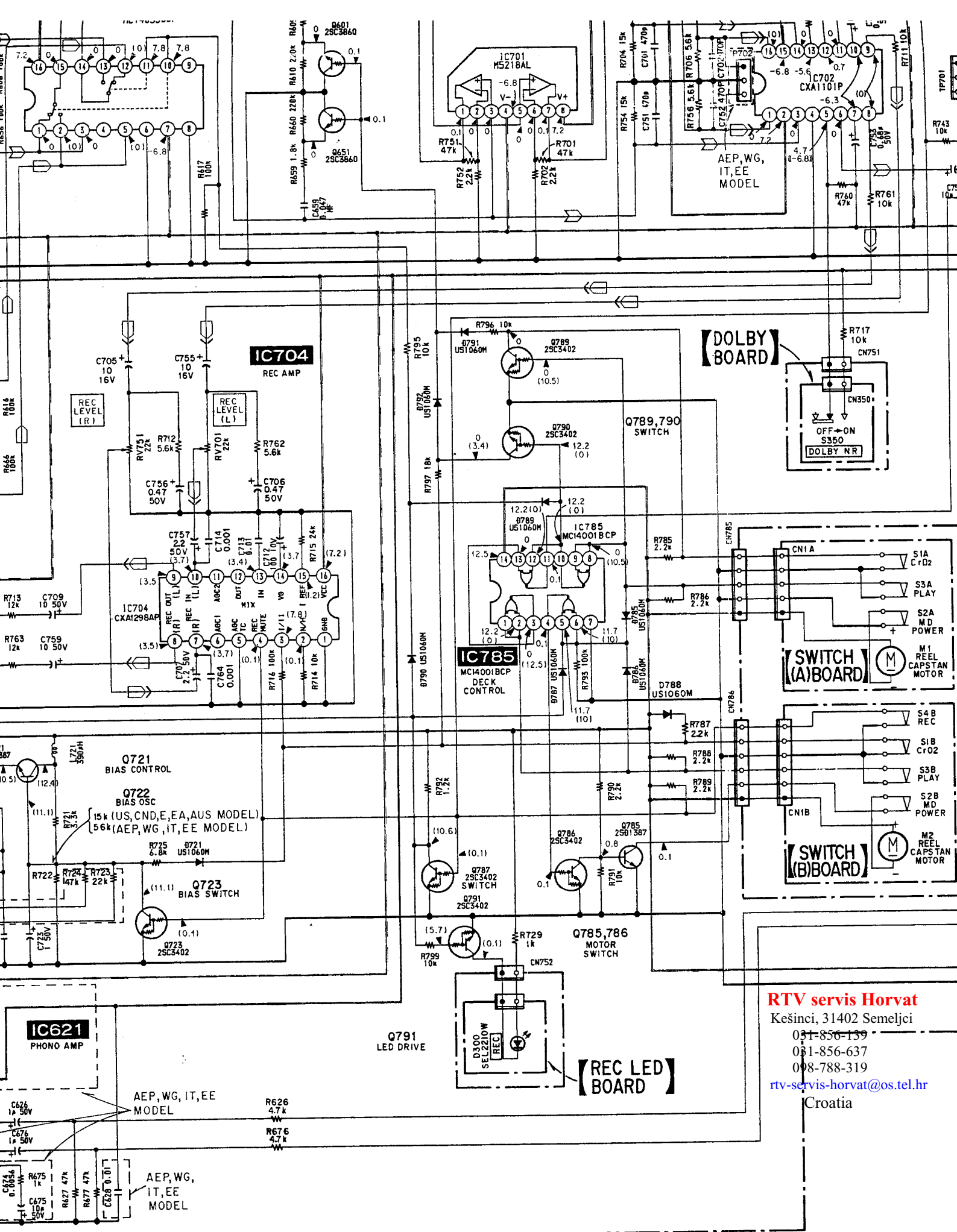


Note:

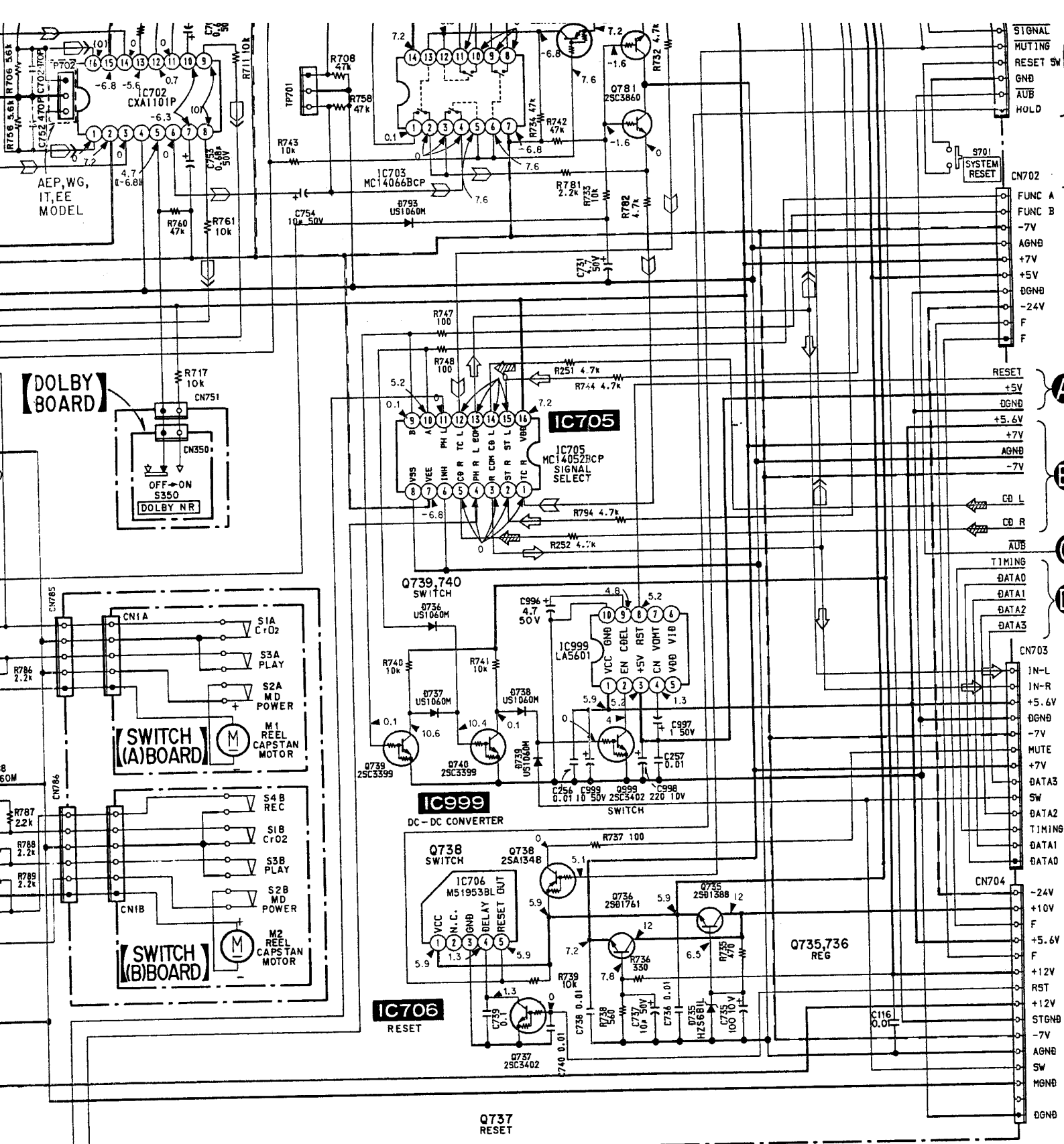
- All capacitors are in μF unless otherwise noted. pF : μF 50WV or less are not indicated except for electrolytics and tantalums.
- All resistors are in Ω and $1/4\text{W}$ or less unless otherwise specified.
- — : B+ Line
- - - - : B- Line
- : adjustment for repair.
- Voltage is dc with respect to ground under no-signal conditions.
- no mark : POWER ON
- : PLAY (DECK A)
- < : REC
- Voltages are taken with a VOM (Input Impedance $10\text{M}\Omega$). Voltage variations may be noted due to normal produc-

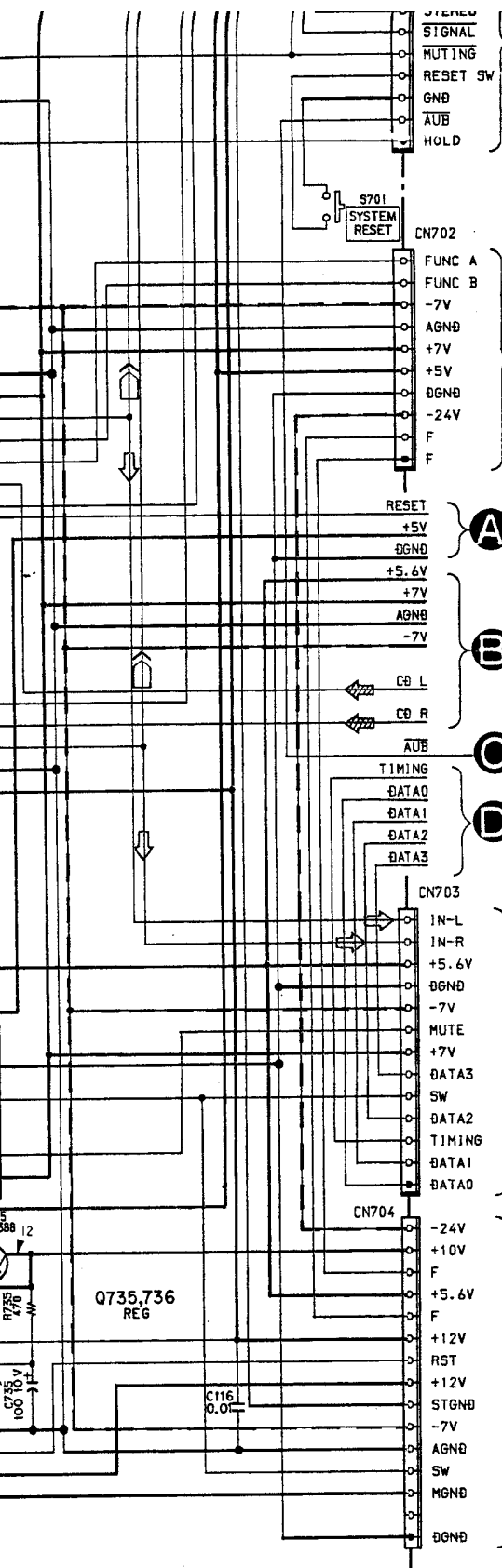
C
D
E
F
G
H
I
J
K
L
M





RTV servis Horvat
 Kešinci, 31402 Semeljci
 031-856-139
 081-856-637
 098-788-319
rtv-servis-horvat@os.tel.hr
 Croatia





TO DISPLAY BOARD
CN501
(See page 34.)

② TO DISPLAY BOARD
CN502
(See page 34.)

① TO MAIN BOARD (1/3)
CD SECTION
(See page 27.)

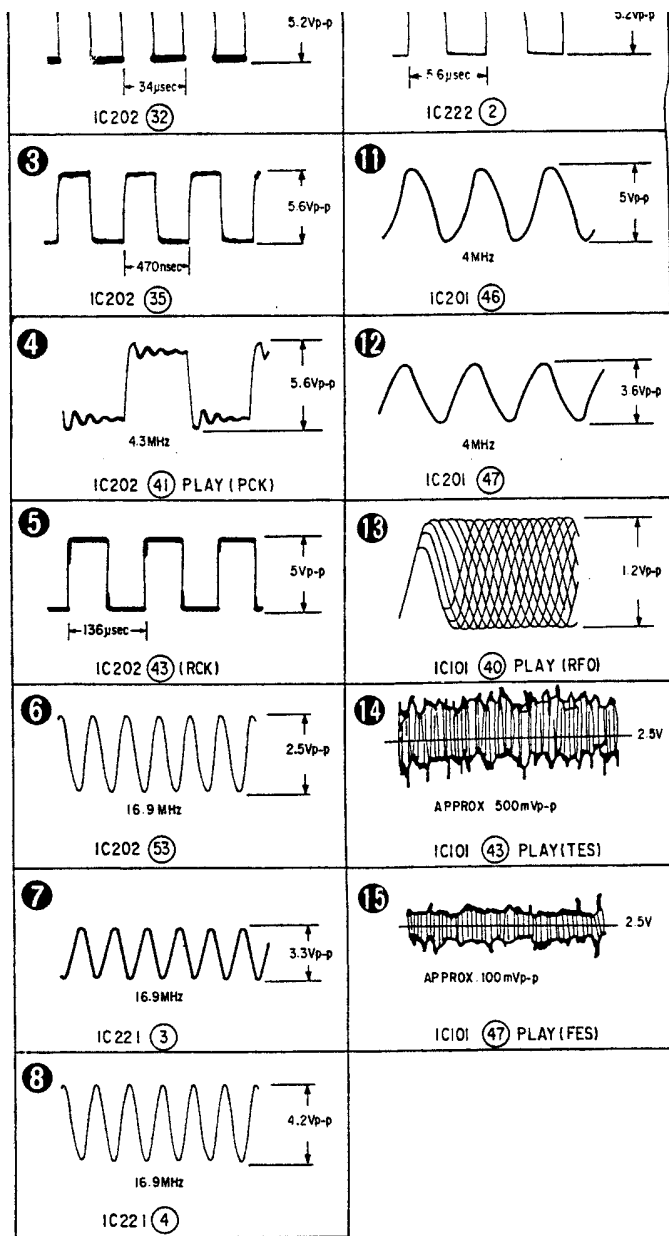
② TO MAIN BOARD (1/3)
CD SECTION
(See page 27.)

③ TO MAIN BOARD (1/3)
CD SECTION
(See page 27.)

④ TO MAIN BOARD (1/3)
CD SECTION
(See page 27.)

③ TO JUMPER BOARD
CN402
(See page 35.)

④ TO TRANSFORMER BOARD
CN902
(See page 35.)



Note:

- All capacitors are in μF unless otherwise noted. pF : μF 50WV or less are not indicated except for electrolytics and tantalums.
- All resistors are in Ω and $\frac{1}{4}\text{W}$ or less unless otherwise specified.
- — : B+ Line
- - - - : B- Line
- □ : adjustment for repair.
- Voltage is dc with respect to ground under no-signal conditions.
no mark : POWER ON
() : PLAY (DECK A)
< > : REC
- Voltages are taken with a VOM (Input Impedance $10\text{M}\Omega$). Voltage variations may be noted due to normal production tolerances.
- Signal path.
◁ : FM
▷ : PB (DECK A)
◁ ▷ : CD
◁ ▷ : PB (DECK B)
◁ ▷ : REC
- CND: Canadian model
WG: West Germany model
IT: Italian model
EE: East European model
EA: Saudi Arabia model
AUS: Australian model

6-7. SCHEMATIC DIAGRAM—Power/Amplifier/Display Section— • Refer to page 39 for IC Block Diagrams.

1 2 3 4 5 6 7 8

A
B
C
D
E
F
G
H
I
J
K

[DISPLAY BOARD]

IC506
REMOTE CONTROL
RECEIVER

Q575
LED DRIVE

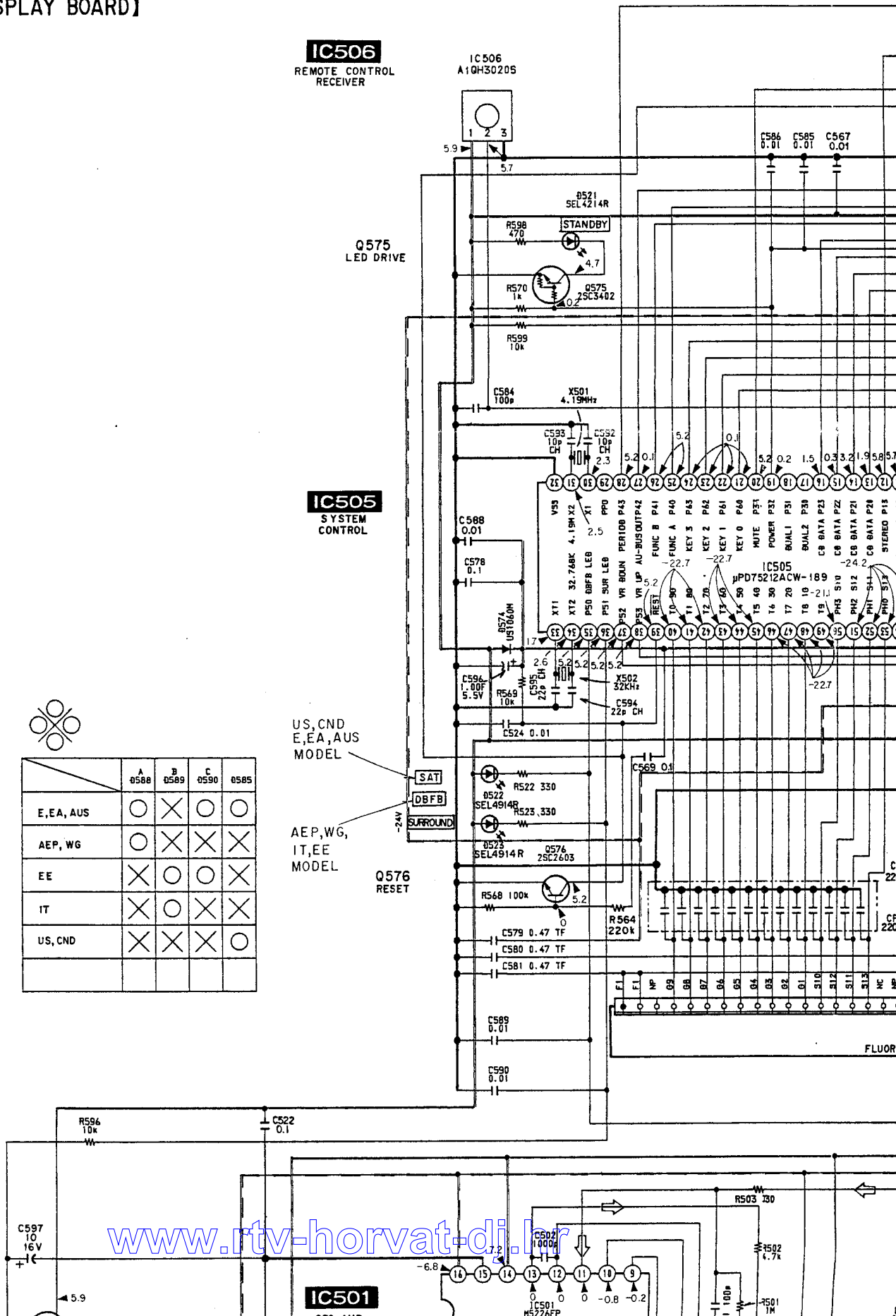
IC505
SYSTEM
CONTROL

US, CND
E, EA, AUS
MODEL

AEP, WG,
IT, EE
MODEL

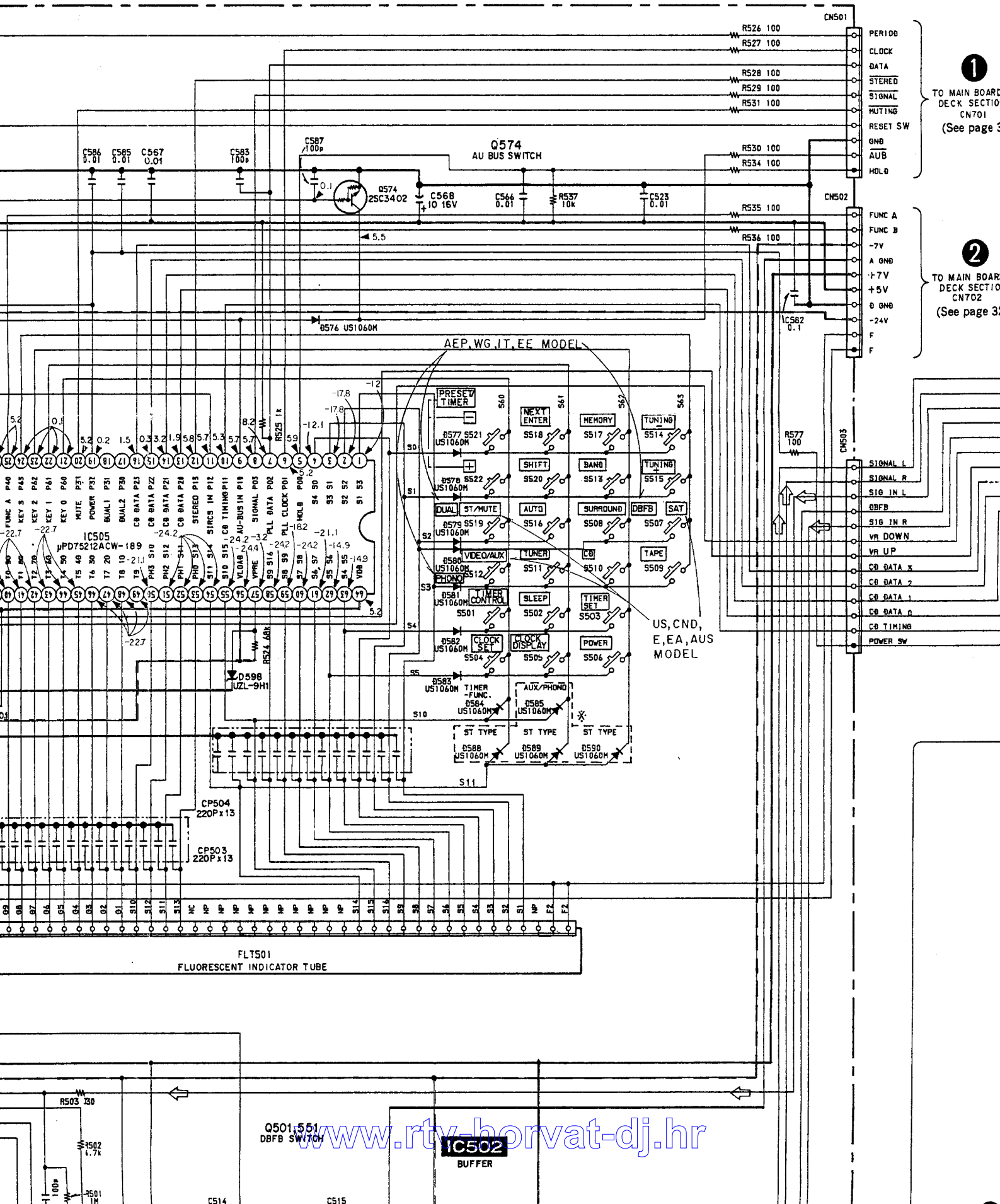
Q576
RESET

	A 0588	B 0589	C 0590	0585
E, EA, AUS	○	×	○	○
AEP, WG	○	×	×	×
EE	×	○	○	×
IT	×	×	×	×
US, CND	×	×	×	○



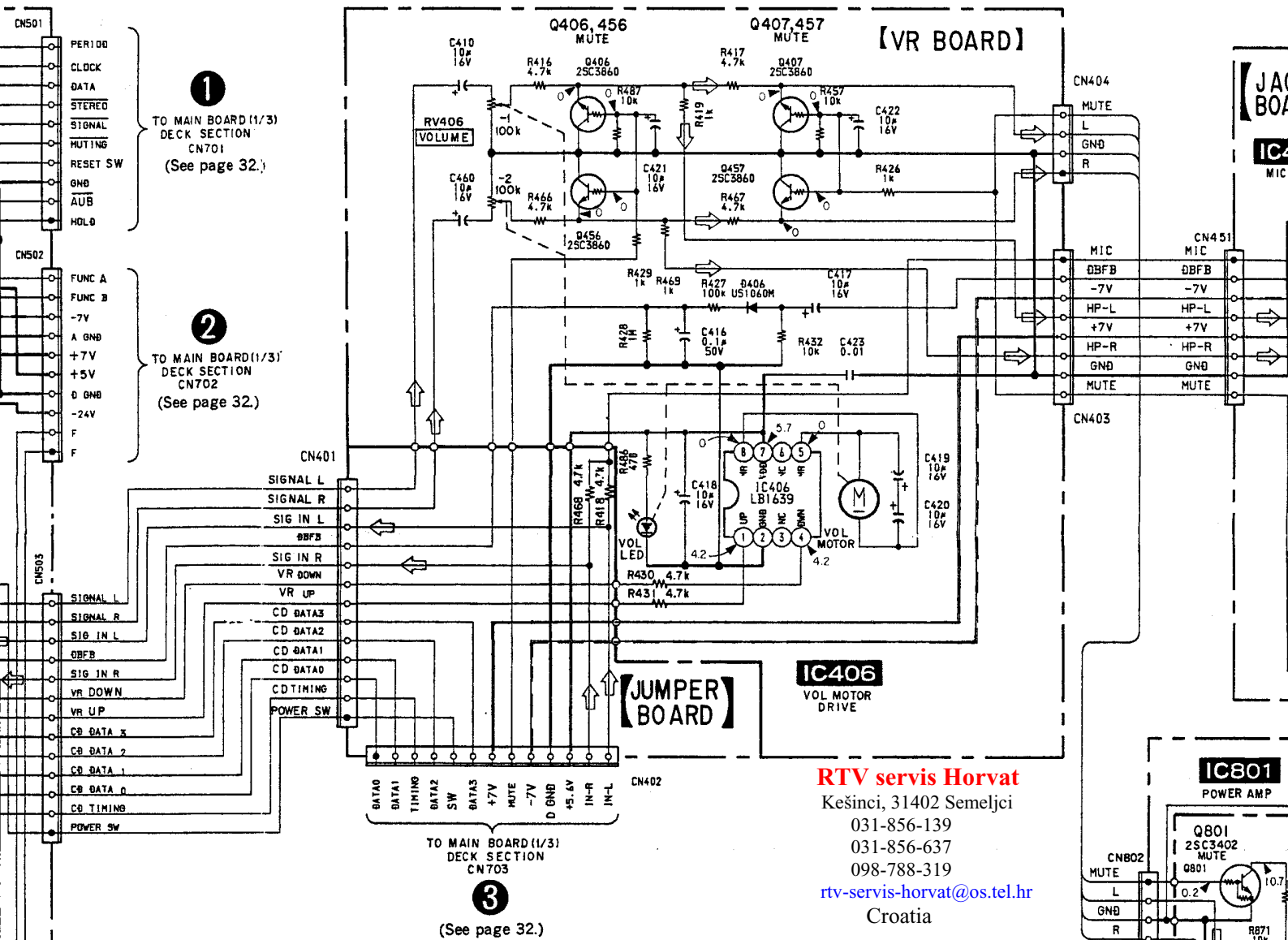
www.rtv-horvat-di.com

IC501



1
TO MAIN BOARD
DECK SECTION
CN701
(See page 3)

2
TO MAIN BOARD
DECK SECTION
CN702
(See page 3)

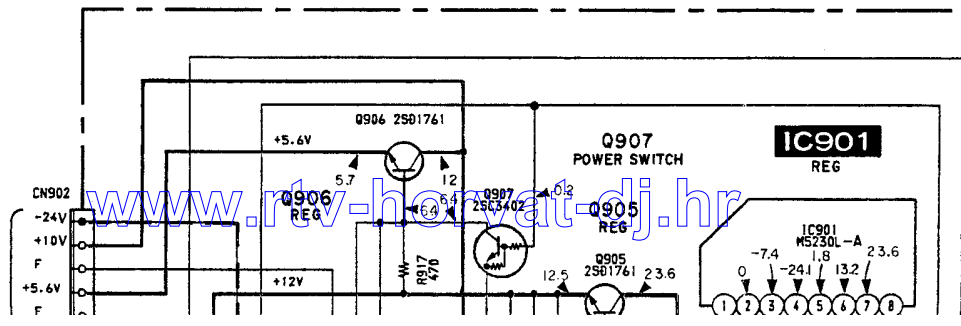
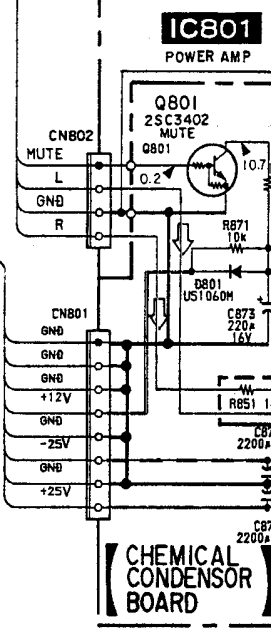


1
TO MAIN BOARD (1/3)
DECK SECTION
CN701
(See page 32.)

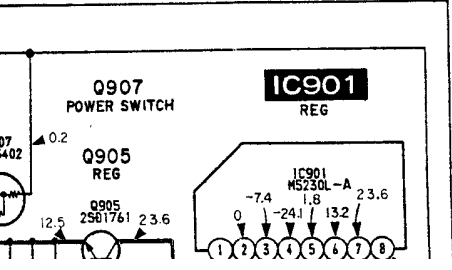
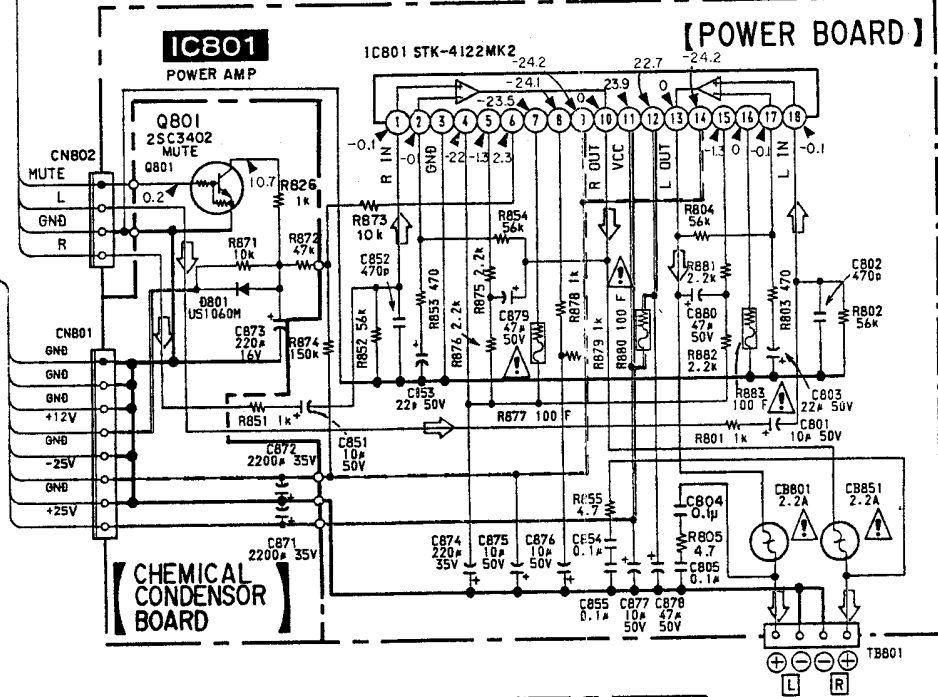
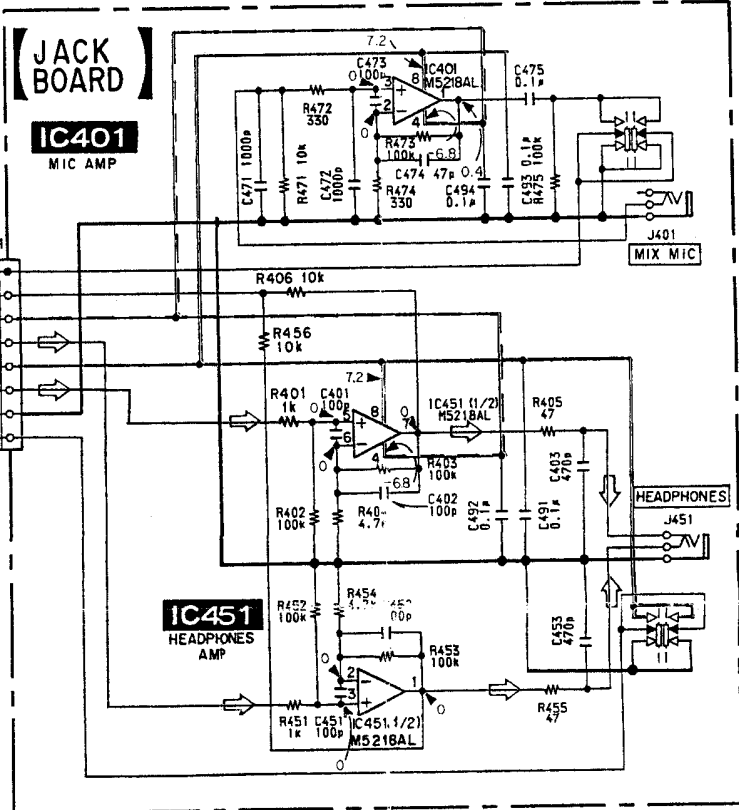
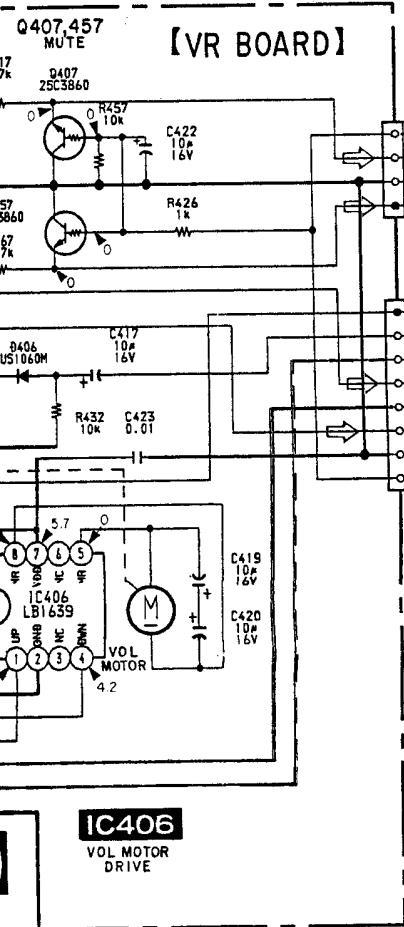
2
TO MAIN BOARD (1/3)
DECK SECTION
CN702
(See page 32.)

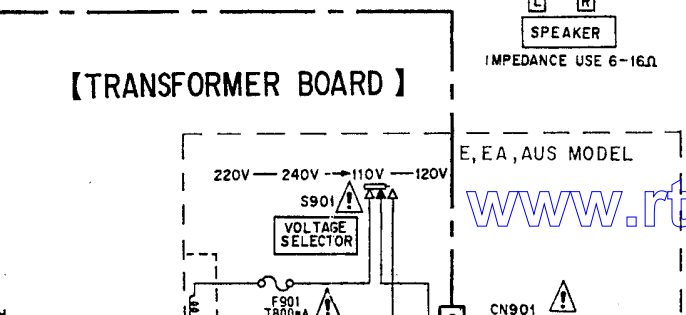
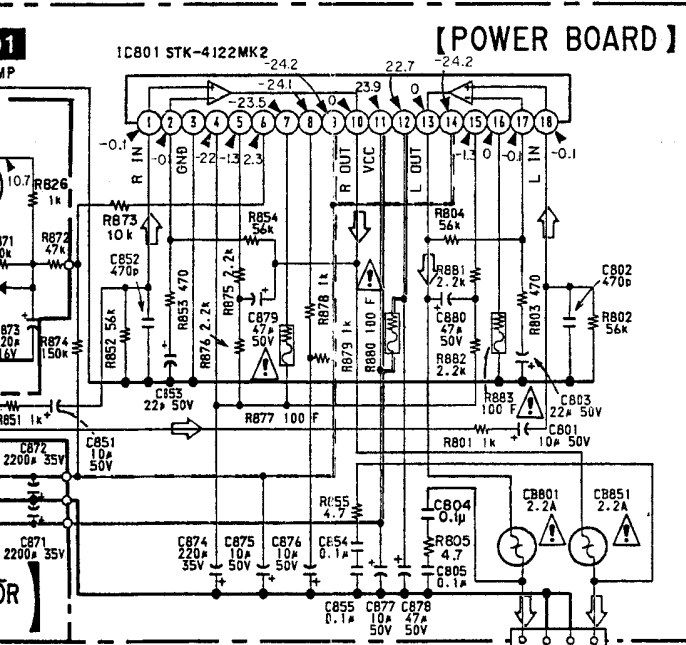
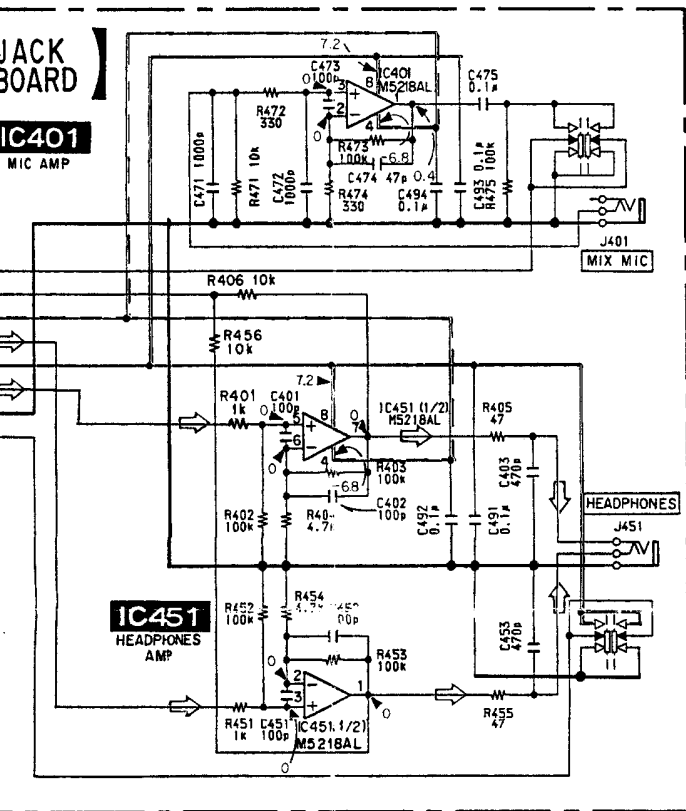
3
TO MAIN BOARD (1/3)
DECK SECTION
CN703
(See page 32.)

RTV servis Horvat
Kešinci, 31402 Semeljci
031-856-139
031-856-637
098-788-319
rtv-servis-horvat@os.tel.hr
Croatia



www.rtv-horvat-dj.hr





● Semiconductor Location

Ref. No.	Location	Ref. No.	Location
D406	G-13	IC502	G-9
D521	F-2	IC505	H-5
D522	E-2	IC506	F-2
D523	E-2	IC551	F-5
D571	G-4	IC801	C-14
D572	G-7	IC901	C-7
D574	I-7		
D576	I-6	Q406	H-13
D577	H-7	Q407	G-14
D578	H-7	Q456	H-13
D579	H-7	Q457	G-14
D580	H-3	Q501	G-8
D581	H-3	Q551	G-8
D582	H-3	Q572	G-4
D583	H-3	Q573	F-7
D584	H-4	Q574	I-4
D585(*1)	H-3	Q575	G-2
D588(*2)	H-3	Q576	H-4
D589(*3)	H-3	Q801	C-10
D590(*4)	H-3	Q901	A-8
D598	I-7	Q903	D-6
D801	C-10	Q904	D-6
D901	B-8	Q905	D-7
D902	B-8	Q906	D-8
D903	C-4	Q907	C-8
D904	C-5	Q908	C-8
D907	C-6		
D908	C-5		
D909	B-8		
D910	C-6		
D911	D-6		
D912	C-8		
IC401	I-13		
IC406	G-12		
IC451	J-13		
IC501	F-3		

*1 : Used on US, CND, E,EA and AUS model.
 *2 : Used on AEP, WG, E, EA and AUS model.
 *3 : Used on IT and EE model.

E
F
G
H
I
J
K
L
M
N
O

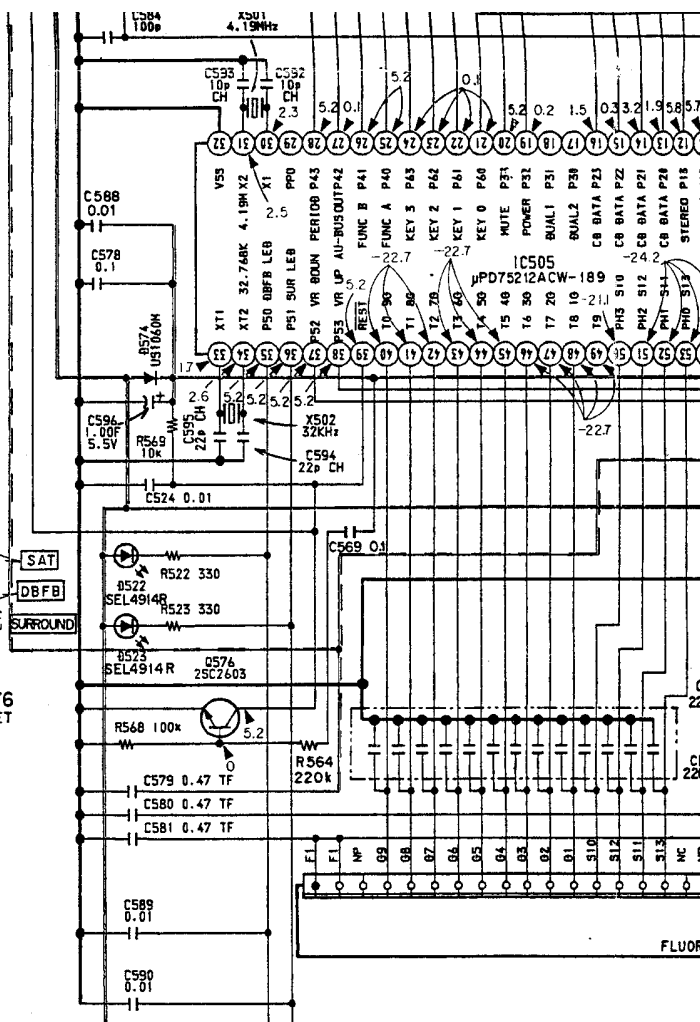


	A 0588	B 0589	C 0590	0585
E,EA,AUS	○	×	○	○
AEP,W6	○	×	×	×
EE	×	○	○	×
IT	×	○	×	×
US,CND	×	×	×	○

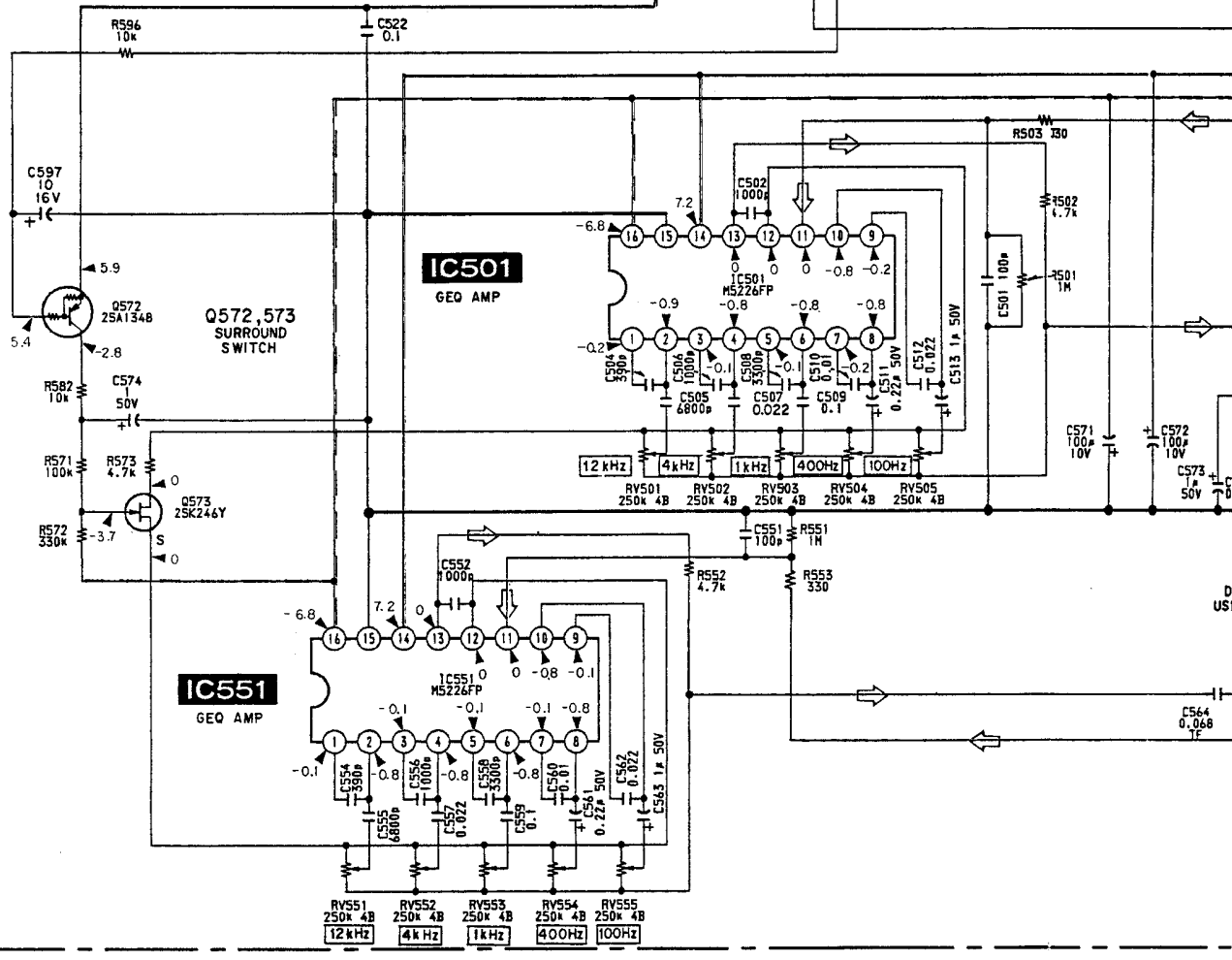
IC505
SYSTEM CONTROL

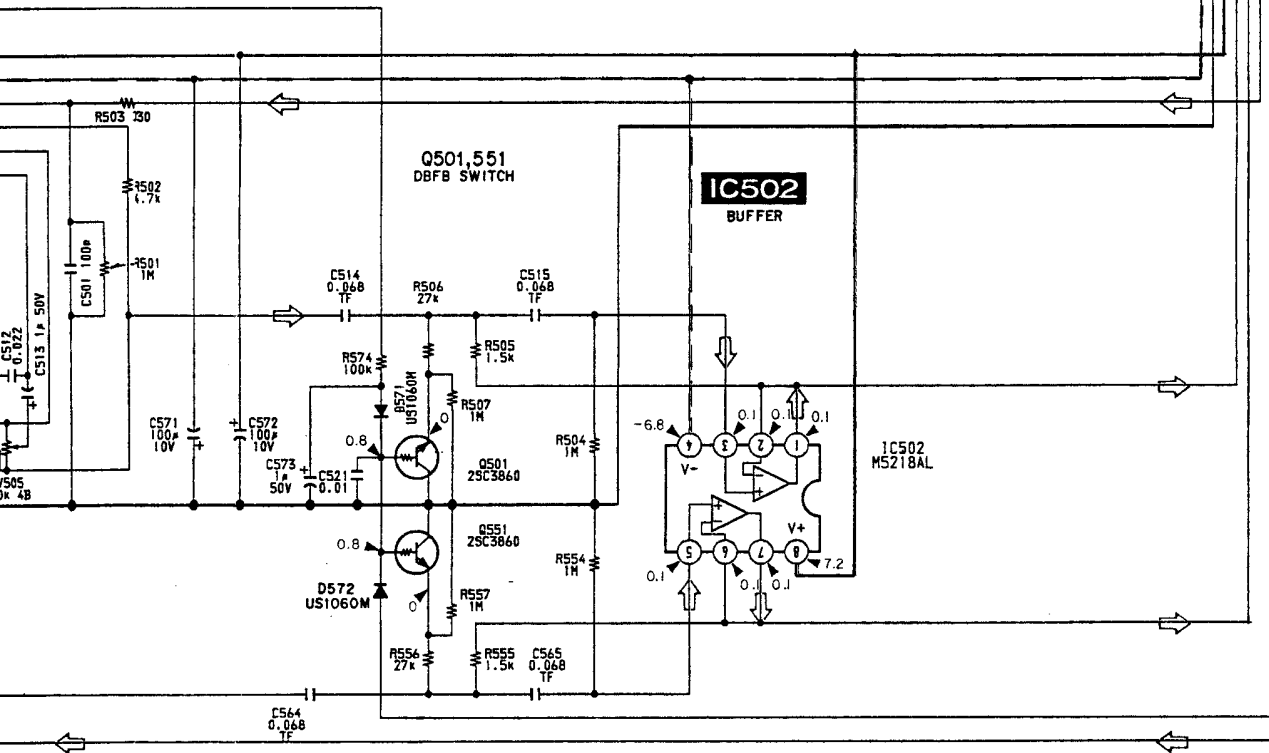
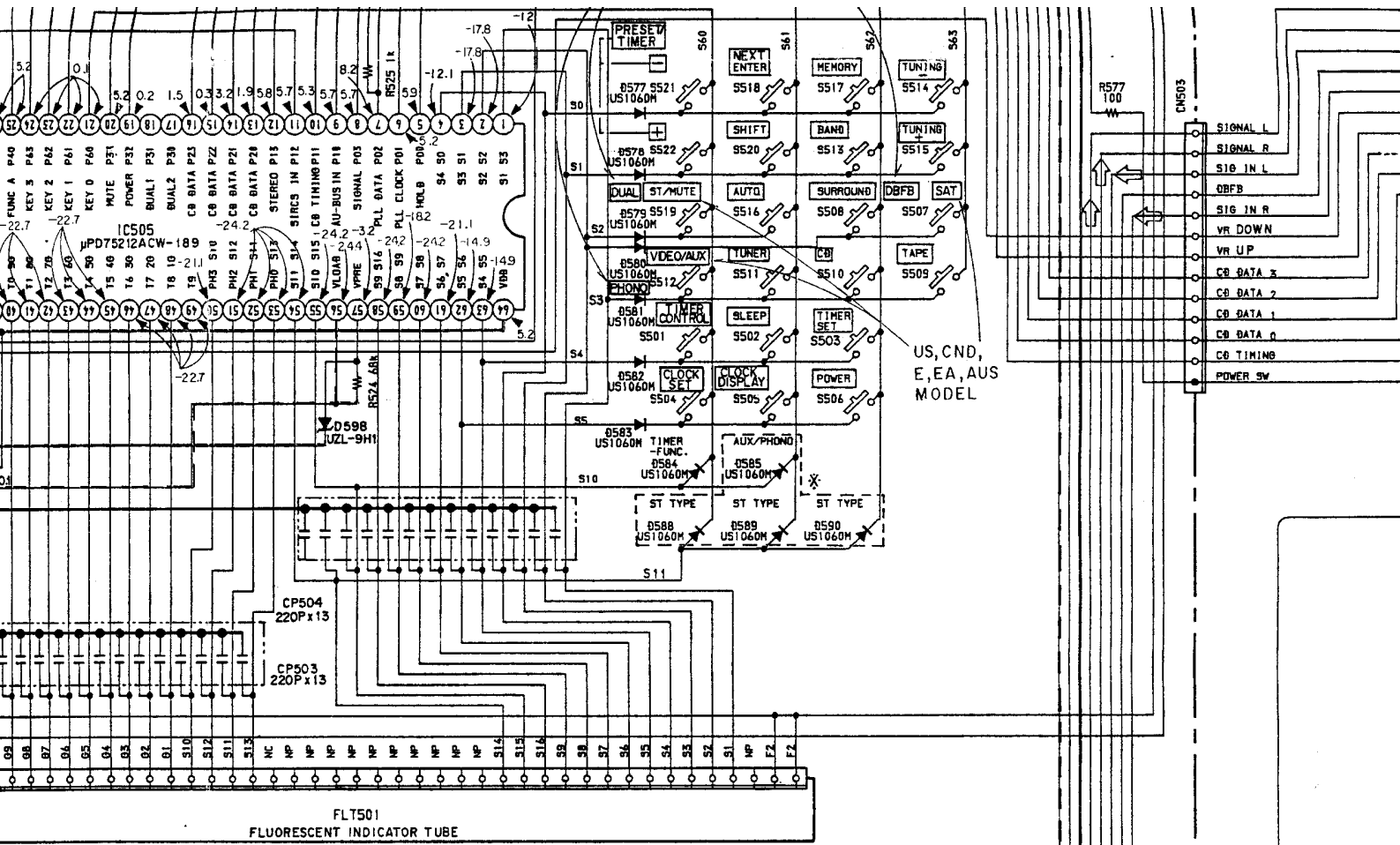
US,CND
E,EA,AUS
MODEL

AEP,W6,
IT,EE
MODEL

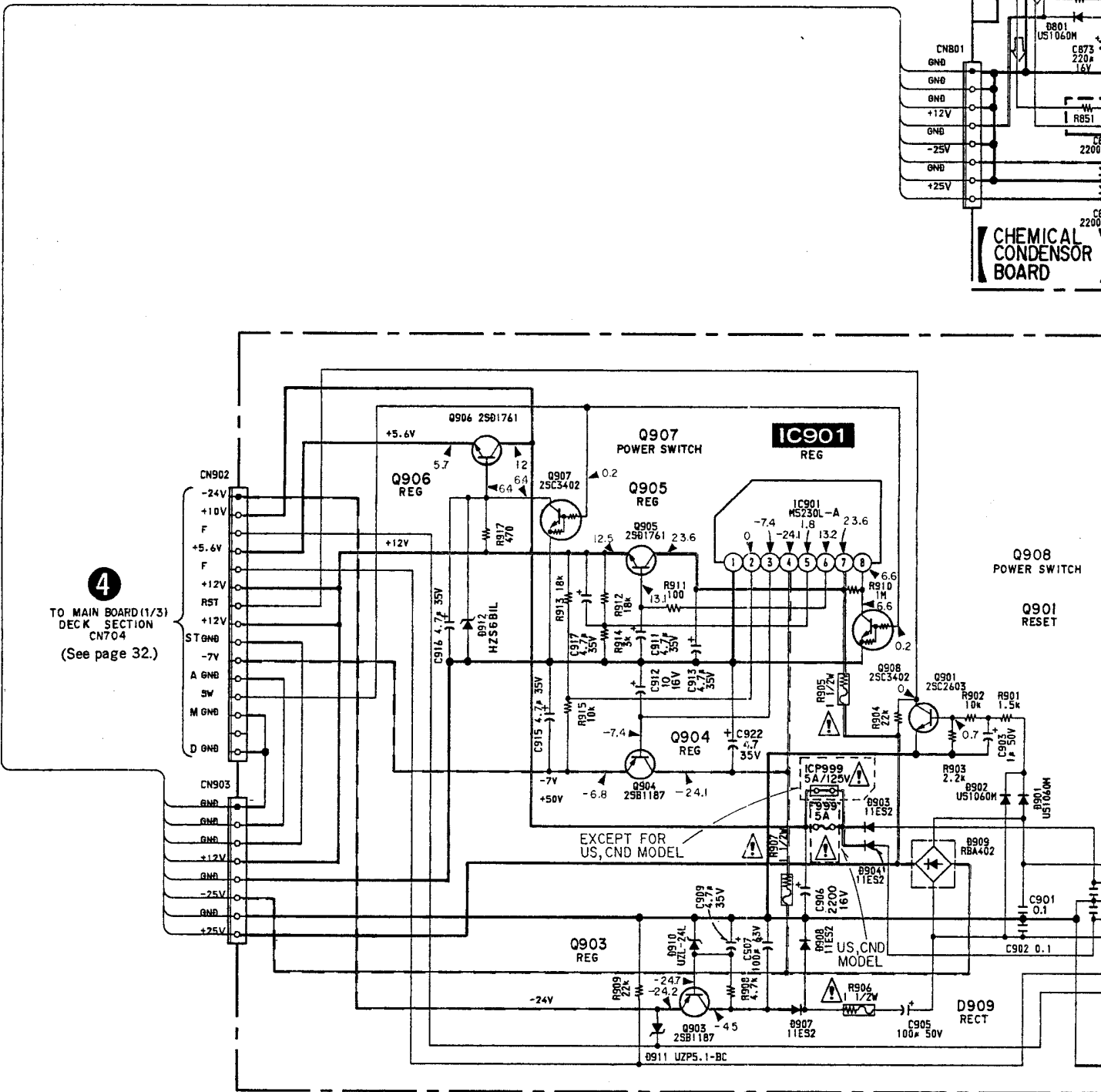
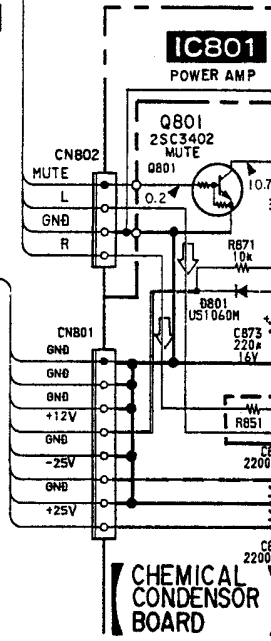
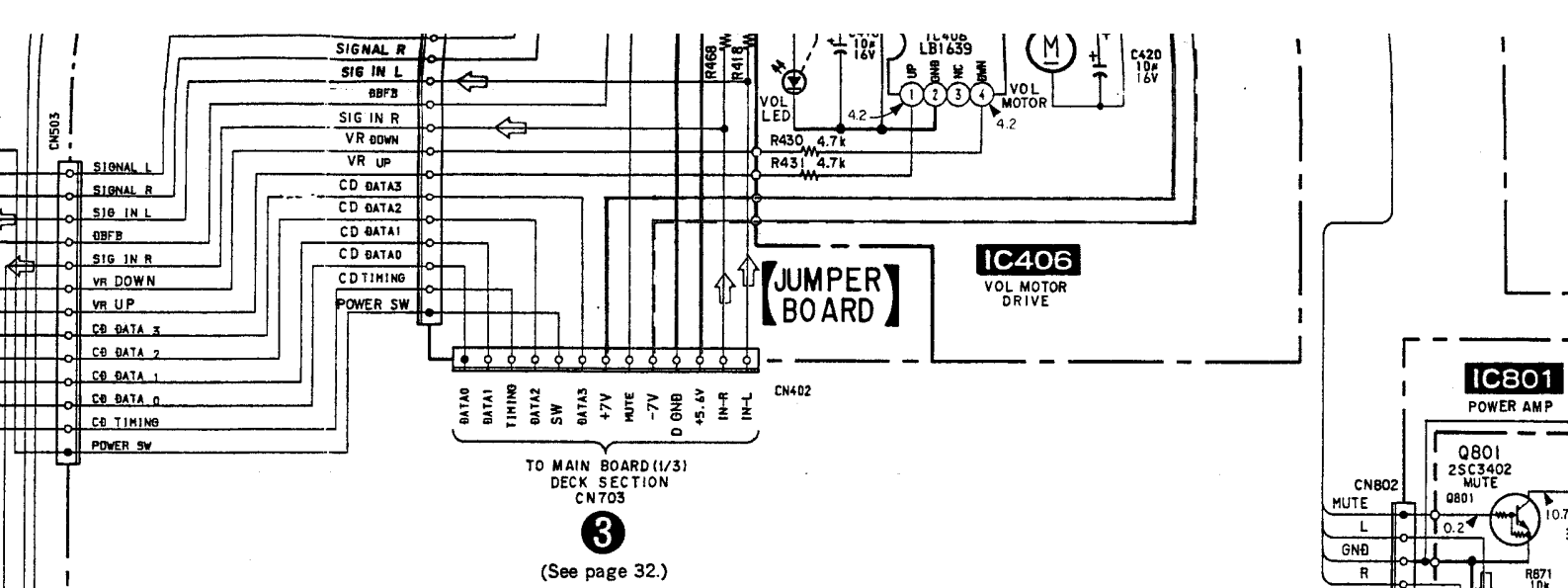


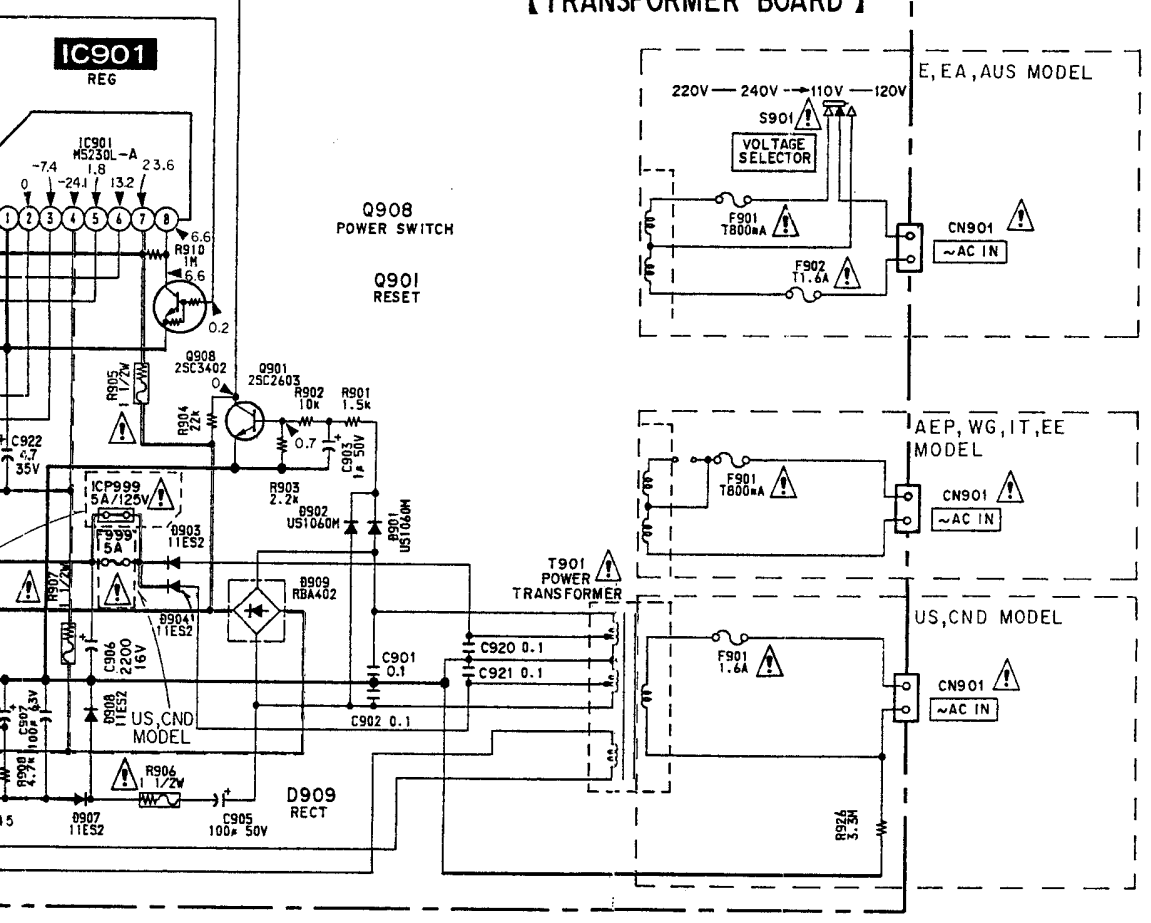
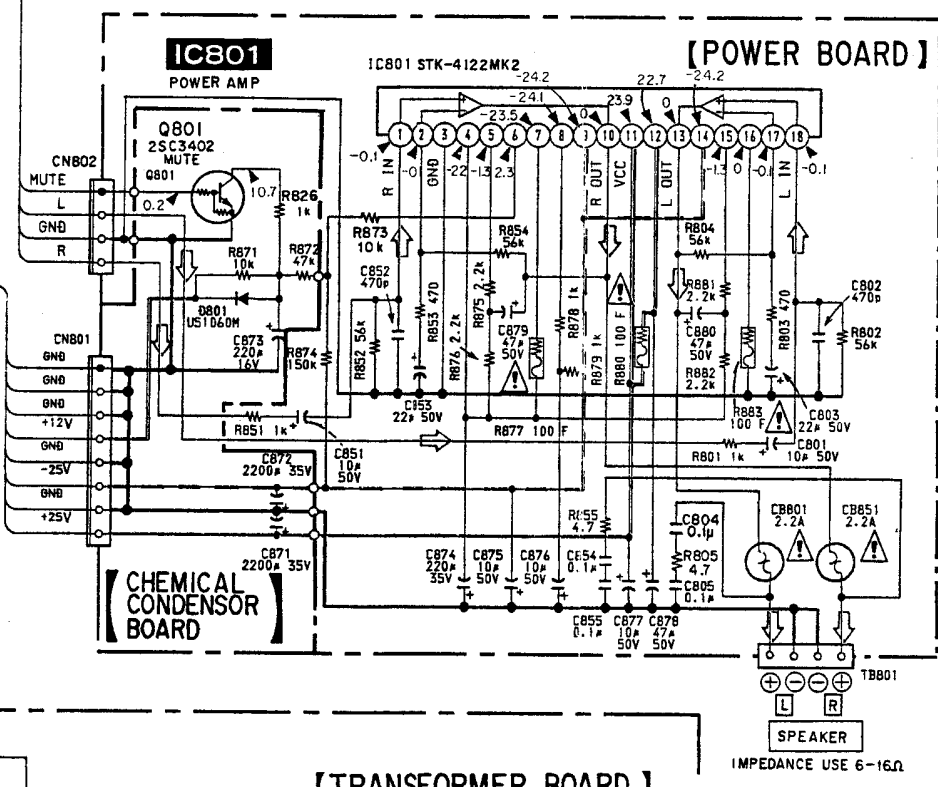
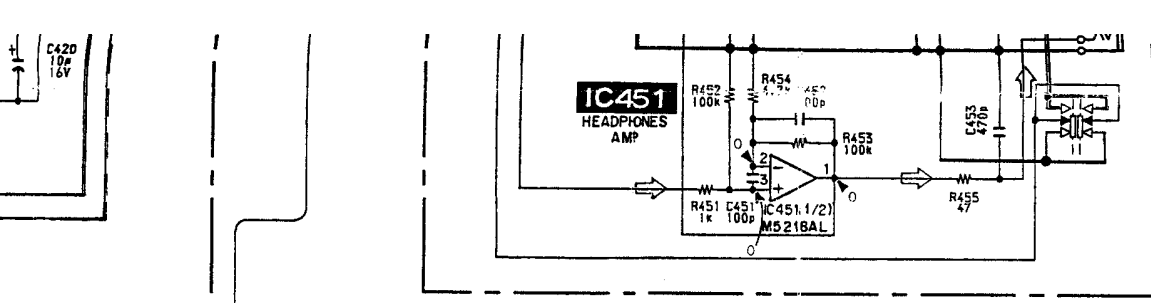
Q576
RESET





4
TO MAIN B
DECK S
CN7
(See pa





• Semicon

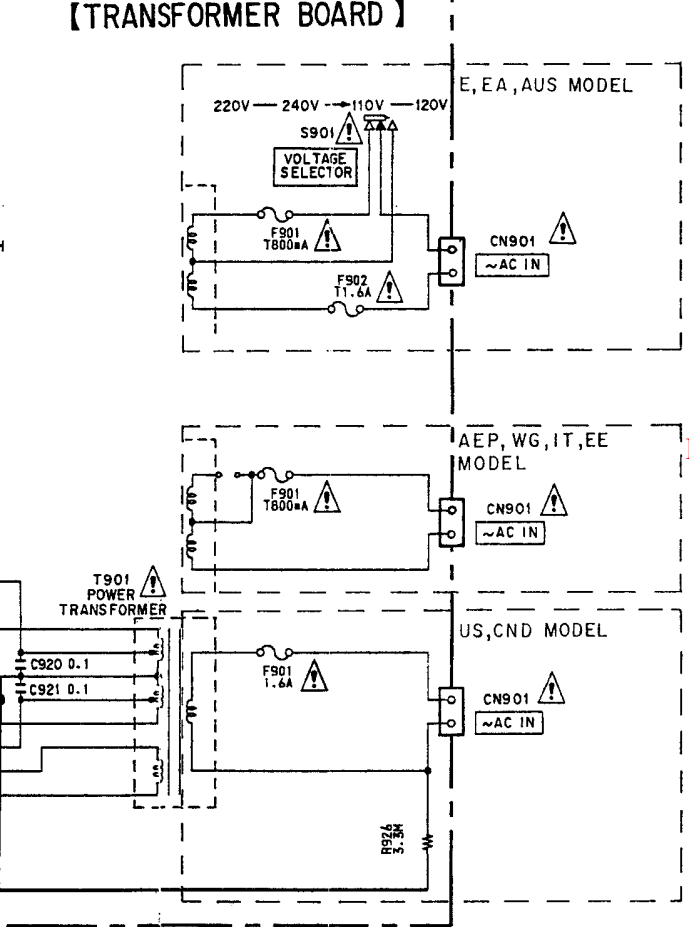
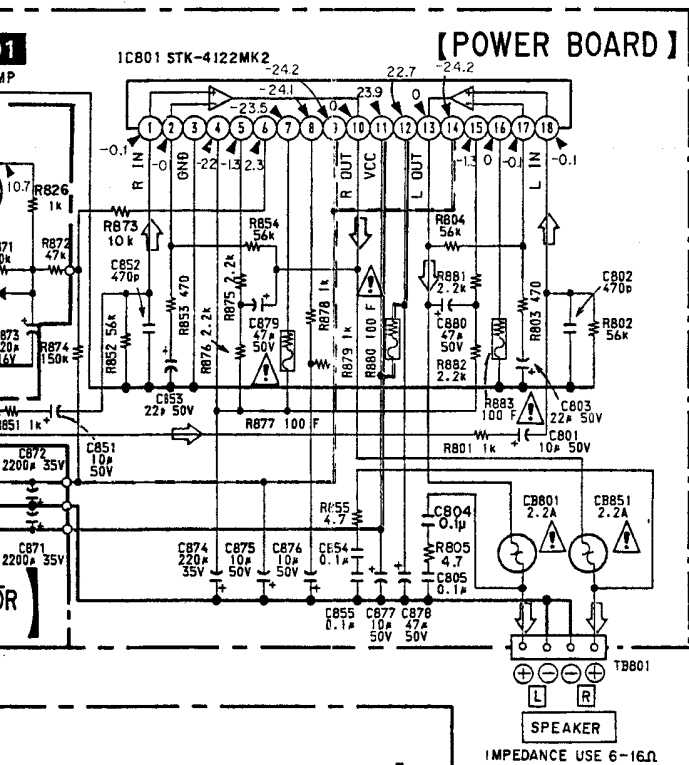
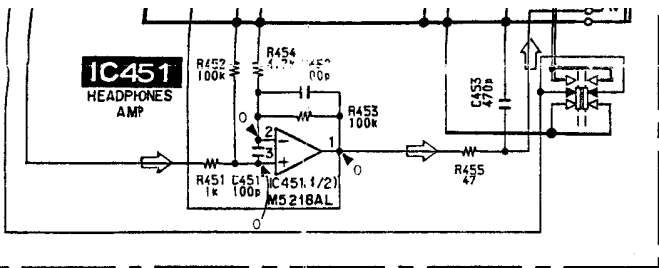
Ref. No.
D406
D521
D522
D523
D571
D572
D574
D576
D577
D578
D579
D580
D581
D582
D583
D584
D585(*1)
D588(*2)
D589(*3)
D590(*4)
D598
D801
D901
D902
D903
D904
D907
D908
D909
D910
D911
D912
IC401
IC406
IC451
IC501

- *1 : Used on
- *2 : Used on
- *3 : Used on
- *4 : Used on

- Note:**
- All capacitors are 50WV or more unless specified.
 - All resistors are 1/4W unless specified.
 - : fu

Note:
The component values specified by marked line widths are critical for operation. Replace only with the same number specified.

- : B+
- : B-
- Voltage is dc unless marked with ~
- Voltages are in V unless marked with k or M
- Voltage variation is 5% unless specified
- Signal path is shown by : FM
- CND : Canadian
- WG : West German
- IT : Italian
- EE : East European
- EA : Saudi Arabia
- AUS : Australian



● Semiconductor Location

Ref. No.	Location	Ref. No.	Location
D406	G-13	IC502	G-9
D521	F-2	IC505	H-5
D522	E-2	IC506	F-2
D523	E-2	IC551	F-5
D571	G-4	IC801	C-14
D572	G-7	IC901	C-7
D574	I-7		
D576	I-6	Q406	H-13
D577	H-7	Q407	G-14
D578	H-7	Q456	H-13
D579	H-7	Q457	G-14
D580	H-3	Q501	G-8
D581	H-3	Q551	G-8
D582	H-3	Q572	G-4
D583	H-3	Q573	F-7
D584	H-4	Q574	I-4
D585(*1)	H-3	Q575	G-2
D588(*2)	H-3	Q576	H-4
D589(*3)	H-3	Q801	C-10
D590(*4)	H-3	Q901	A-8
D598	I-7	Q903	D-6
D801	C-10	Q904	D-6
D901	B-8	Q905	D-7
D902	B-8	Q906	D-8
D903	C-4	Q907	C-8
D904	C-5	Q908	C-8
D907	C-6		
D908	C-5		
D909	B-8		
D910	C-6		
D911	D-6		
D912	C-8		
IC401	I-13		
IC406	G-12		
IC451	J-13		
IC501	F-3		

- *1 : Used on US, CND, E, EA and AUS model.
- *2 : Used on AEP, WG, E, EA and AUS model.
- *3 : Used on IT and EE model.
- *4 : Used on EE, E, EA and AUS model.

Note:

- All capacitors are in μF unless otherwise noted. pF: μpF . 50WV or less are not indicated except for electrolytics and tantalums.
- All resistors are in Ω and $\frac{1}{4}\text{W}$ or less unless otherwise specified.
- : fusible resistor.

<p>Note: The components identified by mark or dotted line with mark are critical for safety. Replace only with part number specified.</p>	<p>Note: Les composants identifiés par une marque sont critiques pour la sécurité. Ne les remplacer que par une pièce portant le numéro spécifié.</p>
--	---

- : B+ Line
- : B- Line
- Voltage is dc with respect to ground under no-signal conditions. no mark : POWER ON
- Voltages are taken with a VOM (Input Impedance 10M Ω). Voltage variations may be noted due to normal production tolerances.
- Signal path.
 - ➡ : FM
- CND: Canadian model
- WG: West Germany model
- IT: Italian model
- EE: East European model
- EA: Saudi Arabia model
- AUS: Australian model

RTV servis Horvat

Kešinci, 31402 Semeljci
 031-856-139
 031-856-637
 098-788-319

rtv-servis-horvat@os.tel.hr
 Croatia